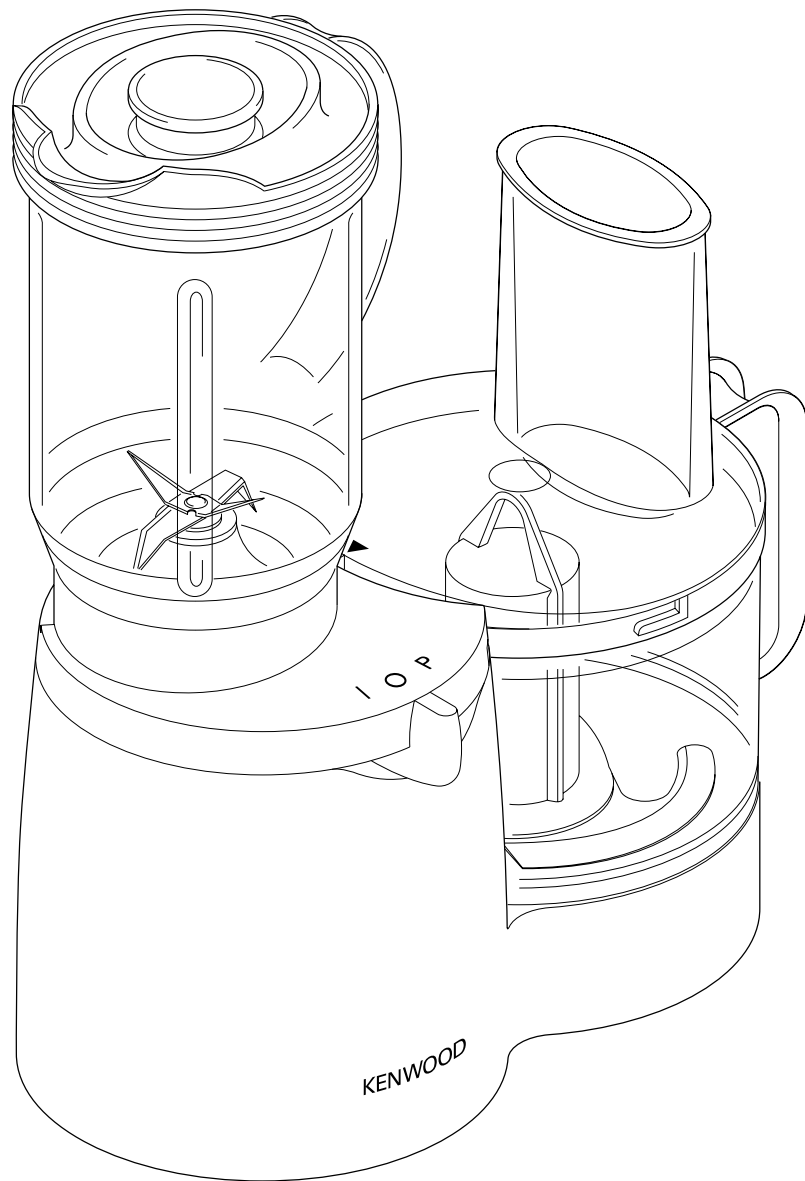
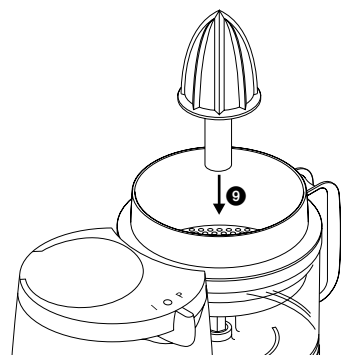
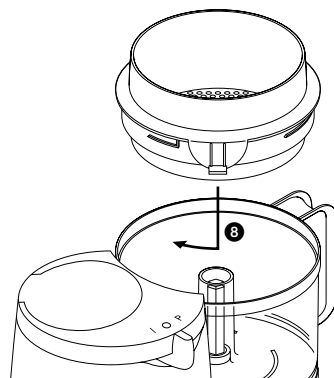
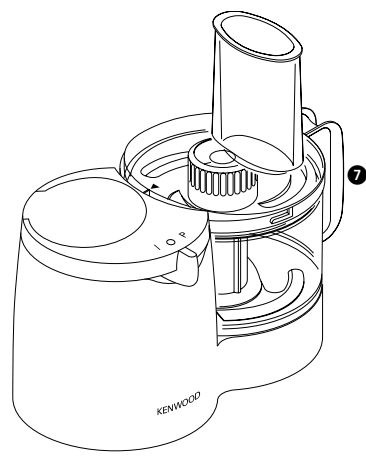
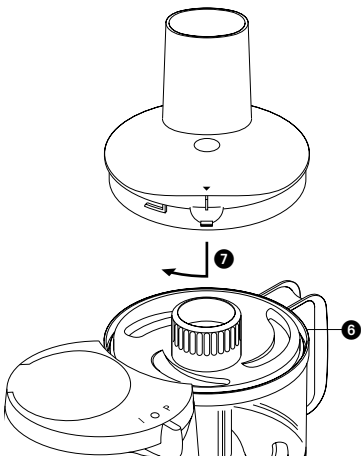
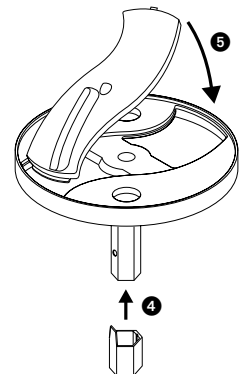
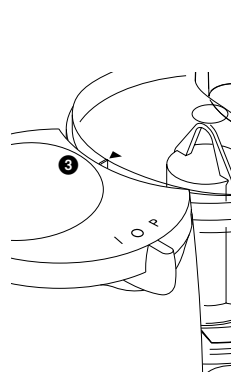
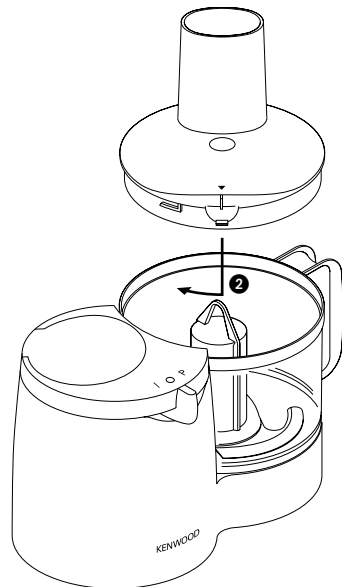
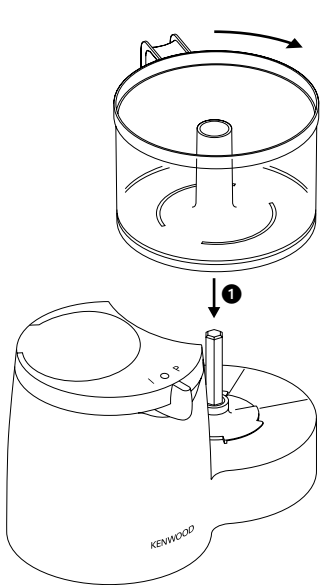
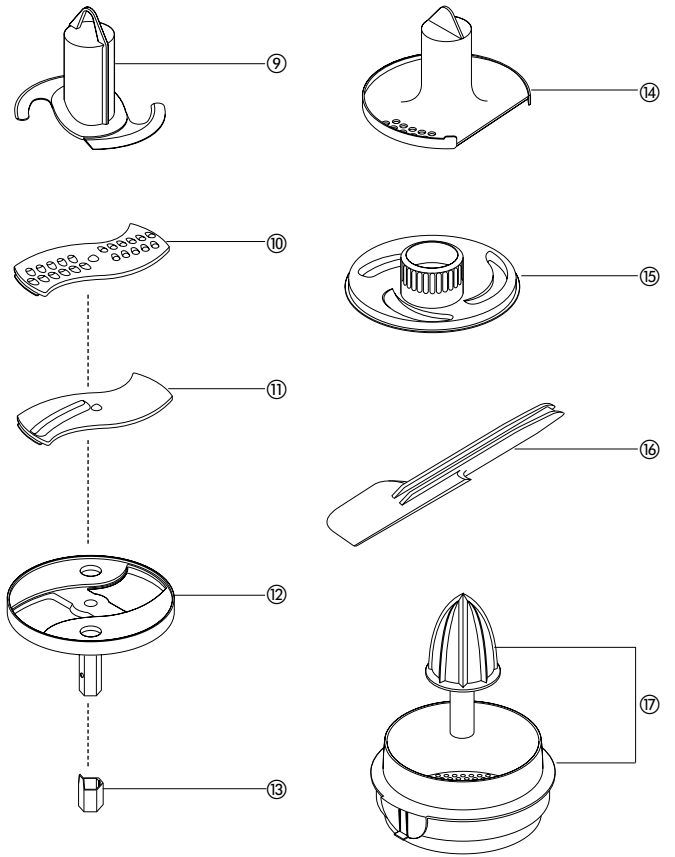
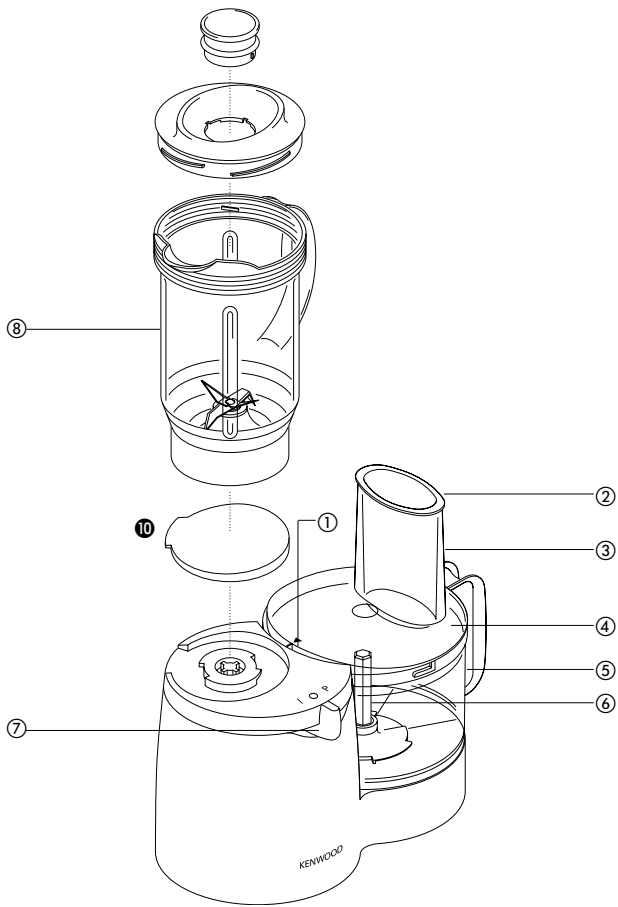


KENWOOD



FP180 series

English	2 - 3
Português	4 - 6
Español	7 - 9
Türkçe	10 - 12
Česky	13 - 15
Magyar	16 - 18
Polski	19 - 21
Русский	22 - 24
Ελληνικά	25 - 27
عربي	٢٠٢ - ٢٠٢



English

safety

- The blades and plates are very sharp, handle with care. **Always hold the knife blade by the finger grip at the top, away from the cutting edge, both when handling and cleaning.**
- Always remove the knife blade before pouring contents from the bowl.
- Keep hands and utensils out of the processor bowl and liquidiser jug whilst connected to the power supply.
- Switch off and unplug:
 - before fitting or removing parts
 - after use
 - before cleaning
- Never use your fingers to push food down the feed tube. Always use the pusher supplied.
- Before removing the lid from the bowl or liquidiser from the power unit:-
 - switch off;
 - wait until the attachment/blades have completely stopped;
- Allow hot liquids to cool before blending in the liquidiser - if you haven't fitted the lid securely and it comes off, you could get splashed.
- **This machine will be damaged and may cause injury if the interlock mechanism is subjected to excessive force.**
- **To prevent damage to the interlock mechanism:-**
 - **Always lock the bowl to the power unit before attempting to fit the lid.**
 - **Always unlock the lid before attempting to remove the bowl from the power unit.**
- This machine is not intended for use by young children or infirm persons without supervision.
- Never use an unauthorised attachment.
- Don't let children play with this machine.
- Never leave the machine on unattended.
- Never use a damaged machine. Get it checked or repaired: see 'service'.
- Never let the power unit, cord or plug get wet.
- Don't let excess cord hang over the edge of a table or worktop or touch hot surfaces.
- Never misuse your food processor and only use it for its intended domestic use.

before plugging in

- Make sure your electricity supply is the same as the one shown on the underside of your appliance.
- This appliance complies with European Economic Community Directive 89/336/EEC.

before using for the first time

- 1 Remove all packaging including the plastic blade covers from the knife blade. These covers should be discarded as they are to protect the blade during manufacture and transit only.
- 2 Wash the parts: see 'cleaning'.
- 3 Wrap excess cord around the cord stowage at the back of the appliance.

key

- ① safety interlock
- ② pusher
- ③ feed tube
- ④ lid
- ⑤ bowl
- ⑥ food processor drive
- ⑦ on/off/pulse lever

attachments

- ⑧ liquidiser
 - ⑨ knife blade
 - ⑩ shredding plate
 - ⑪ slicing plate
 - ⑫ plate carrier
 - ⑬ spacer
 - ⑭ whisk
 - ⑮ maxi blend canopy
 - ⑯ spatula
- ⑰ Citrus press is an optional accessory and may not be included in your pack.

to use the food processor

- 1 Fit the bowl onto the processor base - handle towards the back - lower and turn clockwise until it locks firmly into place ①.
- 2 Add an attachment over the food processor drive.
- Always fit the bowl and attachment onto the machine before adding ingredients.
- 3 Fit the lid onto the bowl - feed tube towards the back of the machine ②. Turn clockwise until the arrow on the lid aligns with the raised line on the body of the processor ③.
- **Failure to correctly fit the lid will prevent your food processor from operating.**
- 4 Switch on by moving the on/off/pulse lever to 'I' and process until the desired consistency is achieved OR move the lever to the pulse 'P' position to operate the tool fitted to the bowl in a start/stop action. The pulse feature operates the motor and keeps it running for as long as it is held in position. This will allow you to control the texture of various foods eg when processing meat.
- 5 Switch off and reverse the above procedure to remove the bowl, lid and attachments.
- The lid can only be removed when the on/off/pulse lever is in the 'O' position.

important

Your processor is not suitable for crushing or grinding coffee beans, spices or converting granulated sugar to caster sugar.

When adding almond essence or flavouring to mixtures avoid contact with the plastic as this may result in permanent marking.

maximum capacities

egg whites	6
chopping meat	300g/10oz
shortcrust pastry flour weight	250g/9oz
yeast dough flour weight	340g/12oz
one stage sponge cake total weight	800g/1lb 12oz
soup with canopy	800ml/1.3pt
liquidiser	1 litre/1¼ pts.

using the attachments

knife blade

This blade is the most versatile of all the attachments. The texture you get is determined by the length of processing time. For coarser textures use the 'pulse' feature checking the consistency regularly.

what the knife blade can do.

Raw meat

Make 'mince' by trimming raw meat of any excess fat and cutting into 2cm/¾in cubes, place into the bowl and operate for approximately 10 seconds or until the desired texture is achieved. The longer you run the machine the smoother the texture will be.

Cooked meat

Follow the method for raw meat but process for a shorter time.

Vegetables

Cut the vegetables into pieces approximately 2.5cm/1in in size. Process foods having a similar texture together eg harder vegetables like carrots and potatoes or softer ones like mushrooms, tomatoes or cooked vegetables.

Biscuit and breadcrumbs

Drop pieces down the feed tube whilst the machine is operating.

Shortcrust pastry and scones

Put the flour into the bowl. Use fat straight from the refrigerator and cut into 2cm/¾in cubes. Process until the mixture resembles fine breadcrumbs but take care not to overprocess. Leave the machine running and add the liquid down the feed tube. Process until one or two balls of pastry are formed. Chill before use.

Soups

Purée soups either before or after cooking. Drain the ingredients and place into the bowl with a small quantity of liquid from the recipe. Process until the desired consistency has been reached, then add to the remainder of the liquid.

Nuts

Chop nuts for cakes and biscuits by placing into the bowl and processing until the desired consistency is obtained.

Cake making

Sponge type cakes are best made by the 'all in one method'. All the ingredients are placed into the bowl and processed until smooth - approximately 10 seconds. A 'soft tub' margarine used straight from the refrigerator and cut into 2cm³/in cubes should always be used.

Savoury dips/spreads

Place the solid ingredients into the bowl in 2.5cm/1in cubes. Process until finely chopped. Add the cream etc., and continue to process until the ingredients are well blended.

Batters

With the knife blade in position place the dry ingredients, egg and a little liquid in the bowl, process until smooth. Add the remaining liquid down the feed tube whilst the machine is operating.

Yeast dough

Place the flour, fat and other dry ingredients into the bowl and process for a few seconds to mix. With the machine running add the liquid mixture down the feed tube and continue processing until the mixture forms a dough and becomes smooth in appearance and elastic to touch - this will take 45-60 seconds. Allow the dough to rise then re-knead for 10 seconds.

whisk

Use for egg whites and cream only. The whisk is unsuitable for other recipes. Make sure the bowl and whisk are free from any traces of grease or egg yolk when whisking egg whites.

slicing and shredding plates

what the cutting plates can do.

slicing plate - slices carrots, potato, cabbage, cucumber, courgette, beetroot, onion.

shredding plate - grates cheese, carrot, potato and foods of a similar texture.

to assemble the plate carrier

- 1 Clip the spacer onto the end of the plate carrier ④.
- 2 Select the desired plate and fit into the carrier with the cutting side uppermost.
- Locate one end of the plate under the rim and press the other end into position it will only fit one way round ⑤.

important

When using the slicing and shredding plates the spacer must be clipped into position on the end of the carrier.

using the cutting plates

shredding plate

Cut pieces of food to fit the feed tube. Fill the tube almost to the top and push down using the pusher with an even pressure whilst the machine is running. Longer shreds can be obtained by stacking pieces horizontally in the feed tube eg carrot.

slicing plate

If necessary cut food to fit the feed tube. Core foods such as apples and peppers. Pack the food in an upright position in the feed tube. The height should be slightly shorter than the feed tube. Using the pusher, push down with an even pressure whilst the machine is running.

hints

- Use fresh ingredients.
- Don't cut food up too small. Fill the feed tube fairly full, this prevents food from slipping sideways during processing.
- When slicing or shredding: food placed upright comes out shorter than food placed horizontally.
- After using a cutting plate there will always be a small amount of waste on the plate or in the food.
- Do not allow food to build up to the underside of the plate - empty regularly.
- Push food down the feed tube using an even pressure.

maxi blend canopy

When blending, use the maxi blend canopy in conjunction with the knife blade. It allows you to increase the liquid processing capacity of the bowl and improve the chopping performance of the blade.

- 1 Place the canopy into the bowl over the knife blade - **do not push down** ⑥.
- 2 Fit the lid - the lid will ensure that the canopy is located at the correct height ⑦.

citrus press (optional attachment)

The citrus press is used to juice citrus fruit ie oranges, lemons, limes and grapefruits.

- 1 Fit the bowl onto the processor. Add the strainer and turn clockwise until the fin on the strainer aligns with the mark on the processor body ⑧.
- 2 Attach the cone onto the drive shaft turning until it drops all the way down ⑨.
- 3 Cut the fruit in half. Switch on and press the fruit onto the cone.

liquidiser

Use the liquidiser for fine soups, drinks and mayonnaise.

to use the liquidiser

- 1 Remove the outlet cover ⑩.
- 2 Put the ingredients into the jug.
- 3 Screw the lid and filler cap onto the jug.
- 4 Screw the jug onto the outlet.
- 5 Switch on.
- 6 After using the liquidiser always replace the outlet cover.

important

- **The liquidiser attachment will work only with the processor bowl and lid in position.**
- **When using the liquidiser outlet we recommend that there are no tools in the processor bowl.**

hints

- When making mayonnaise, put all the ingredients, except the oil into the liquidiser. Then with the machine running, pour the oil into the filler cap and let it run through.
- Thick mixtures, eg pates and dips, may need scraping down. If it's difficult to process, add more liquid.
- Allow hot liquids to cool before blending in the liquidiser - if you haven't fitted the lid securely and it comes off, you could get splashed.
- To ensure the long life of your liquidiser, never run it for longer than 60 seconds. Switch off as soon as you've got the right consistency.
- Don't process spices - they may damage the plastic.
- The machine won't work if the liquidiser is fitted incorrectly.
- Don't put dry ingredients into the liquidiser before switching on. If necessary, cut them into pieces; remove the filler cap; then with the machine running, drop them through one by one.
- Don't use the liquidiser as a storage container. Keep it empty before and after use.
- Never blend more than 1 litre (1 $\frac{3}{4}$ pts) - less for frothy liquids like milkshakes.

cleaning

- Always switch off and unplug before cleaning.
- Never let the power unit, cord or plug get wet.
- Handle blades and cutting plates with care - they are extremely sharp.
- Some foods will discolour the plastic. This is perfectly normal. It won't harm the plastic or affect the flavour of your food. Rubbing with a cloth dipped in vegetable oil helps remove discolouring.

power unit

- Wipe with a damp cloth, then dry.
- Wrap excess cord around the cord stowage at the back of the appliance.

liquidiser

- 1 Fill with warm water, fit the lid and filler cap, then switch on for 20-30 seconds.
 - 2 Empty, then rinse. If it's still dirty, use a brush.
 - 3 Wipe, then leave to air-dry.
- Don't leave the liquidiser in water to soak. And don't leave water inside it.

other parts

- Wash by hand, then dry thoroughly.
- All attachments (except liquidiser) can be washed on the top rack of your dishwasher.

service and customer care

- If the cord is damaged it must, for safety reasons, be replaced by Kenwood or an authorised Kenwood repairer.

If you need help with:

- using your appliance or
 - servicing, spare parts or repairs
- Contact the shop where you bought your appliance.

Português

Antes de ler, por favor abra a primeira página com as ilustrações

precauções

- As lâminas e os discos são muito afiados, manuseie-os com cuidado. **Segure sempre nas lâminas pela pega, ao cimo, afastando os dedos dos gumes, tanto ao manusear como ao limpar.**
- Retire sempre as lâminas antes de esvaziar o conteúdo da taça.
- Não coloque as mãos e utensílios dentro da taça do robot e do jarro do liquidificador enquanto o aparelho estiver ligado à corrente.
- Desligue no interruptor e retire a ficha da tomada de corrente:
 - antes de instalar ou remover peças
 - depois de utilizar
 - antes de limpar
- Nunca utilize os dedos para empurrar alimentos e fazê-los descer pelo tubo de alimentação. Utilize sempre o calcador fornecido.
- Antes de tirar a tampa da taça ou o liquidificador da base:
 - desligue no interruptor;
 - aguarde até o acessório/lâminas terem parado completamente;
- Deixe os líquidos quentes arrefecerem antes de os misturar no liquidificador – se não tiver colocado firmemente a tampa e esta sair, você poderá ser salpicado.
- **Esta máquina ficará danificada e poderá provocar ferimentos se o mecanismo de entrelaqueio de segurança for sujeito a força excessiva.**
- **Para impedir danos ao mecanismo de entrelaqueio de segurança:**
 - **Trave sempre a taça na posição devida sobre a base antes de tentar instalar a tampa.**
 - **Destrave sempre a tampa antes de tentar retirar a taça da base.**
- Esta máquina não se destina a ser utilizada por crianças pequenas ou pessoas debilitadas sem supervisão.
- Nunca utilize acessórios não autorizados.
- Não permita que as crianças brinquem com este aparelho.
- Nunca deixe o aparelho ligado se tiver de se afastar.
- Nunca utilize um aparelho danificado. Mande-o examinar ou reparar: veja “serviço e assistência ao cliente”.
- Nunca deixe que a base, o cabo ou a ficha se molhem.
- Não deixe o excesso de cabo dependurado da beira de uma mesa ou bancada ou em contacto com superfícies quentes.
- Nunca utilize o seu robot incorrectamente e utilize-o apenas para a finalidade doméstica a que se destina.

antes de ligar

- Certifique-se de que a tensão da sua fonte de alimentação eléctrica é a mesma que a indicada na parte inferior do seu aparelho.
- Este aparelho cumpre os requisitos da Directiva 89/336/EEC da Comunidade Económica Europeia.

antes de utilizar pela primeira vez

- 1 Retire todas as protecções plásticas incluindo as que cobrem a lâmina de aço. Estas deverão ser eliminadas já que se destinam apenas a proteger a lâmina durante o fabrico e o transporte.
- 2 Lave os componentes: ver ‘limpeza’.
- 3 Enrole o excesso de cabo em redor dos ganchos de arrumação, nas costas do robot de cozinha.

componentes

- ① entrelaqueio de segurança
- ② calcador
- ③ tubo de alimentação
- ④ tampa
- ⑤ taça
- ⑥ accionador do robot de cozinha
- ⑦ patilha de ligar/desligar/impulsos

acessórios

- ⑧ liquidificador
 - ⑨ Lâminas
 - ⑩ disco de picar
 - ⑪ disco de cortar às rodelas
 - ⑫ suporte dos discos
 - ⑬ espaçador
 - ⑭ pinha
 - ⑮ cúpula maxi-blend
 - ⑯ espátula
- ⑰ O espremedor de citrinos é um acessório opcional e poderá não estar incluído no conjunto.

utilizar o robot de cozinha

- 1 Coloque a taça na base do robot - com a pega voltada para a parte de trás do aparelho - baixe a taça e rode para a direita até ficar firmemente fixa no lugar **1**.
- 2 Acrescente um acessório ao accionador do robot de cozinha.
 - Coloque sempre a taça e o acessório na máquina antes de adicionar ingredientes.
- 3 Coloque a tampa na taça - com o tubo de alimentação voltado para a parte de trás do aparelho **2**. Rode a tampa para a direita até a marca da tampa estar alinhada com a marca no corpo do robot **3**.
- **Se a tampa não estiver correctamente colocada, o robot de cozinha não funcionará.**
- 4 Ligue movendo a patilha de ligar/desligar/impulsos para a posição “I” e processe até alcançar a consistência desejada OU mude a patilha para a posição de impulsos “P” para utilizar o acessório instalado na taça numa acção de arranque/paragem. A função de impulsos faz funcionar o motor e mantém-no a funcionar enquanto a patilha se conservar nessa posição. Isto permitir-lhe-á controlar a textura dos vários alimentos, por exemplo ao processar carne.
- 5 Inverta o procedimento anterior para retirar a taça, a tampa e os acessórios.
 - a tampa só pode ser retirada quando a patilha de ligar/desligar/impulsos está na posição “O”.

importante

O robot não é adequado para esmagar ou moer grãos de café ou especiarias nem para converter açúcar granulado em açúcar mais fino. Ao adicionar essência ou aroma de amêndoa às misturas evite o contacto com o plástico já que tal poderá resultar numa marca permanente.

capacidades máximas

claras de ovo	6
picar carne	300g
peso da massa para biscoitos amanteigados	250g
peso da massa com fermento	340g
peso total para pão-de-ló	800g
sopa com campânula	800ml
liquidificador	1 litro

utilização dos acessórios

lâminas

Esta lâmina é o mais versátil de todos os acessórios. A textura dos alimentos é determinada pela duração do tempo de processamento. Para obter texturas mais grossas utilize a característica “impulso” verificando regularmente a consistência.

o que a lâmina consegue fazer.

carne crua

Torne-a ‘magra’ retirando qualquer excesso de gordura à carne crua e cortando-a em pedaços de 2cm, coloque a carne na taça e opere durante aproximadamente 10 segundos ou até alcançar a textura desejada. Quanto mais utilizar a máquina mais suave será a textura.

carne cozida

Aplique o método utilizado para a carne crua mas processe durante um período de tempo inferior.

vegetais

Corte os vegetais em pedaços com um tamanho aproximado de 2,5cm. Processe alimentos com uma textura semelhante, em simultâneo, por exemplo, vegetais mais duros tais como cenouras ou batatas ou vegetais mais moles tais como cogumelos, tomates ou vegetais cozidos.

biscoitos e migalhas de pão

Deixe cair os pedaços através do tubo de alimentação com a máquina em funcionamento.

biscoitos amanteigados e scones

Coloque a farinha na taça. Utilize a gordura directamente a partir do frigorífico e corte-a em cubos de 2cm. Processe até a mistura ficar parecida com migalhas de pão finas, mas tenha atenção para não processar demasiado. Deixe a máquina ligada e acrescente os líquidos através do tubo de alimentação. Processe até estarem formadas uma ou duas bolas de biscoito amanteigado. Arrefeça antes de servir.

sopas

Bata as sopas antes ou depois de cozinhar. Seque os ingredientes e coloque-os na taça com uma quantidade pequena de líquido da receita. Processe até alcançar a consistência desejada, de seguida acrescente o líquido restante.

nozes

Corte nozes para bolos e biscoitos colocando-as na taça e processando-as até alcançar a consistência desejada.

fazer bolos

Os bolos tipo pão de ló são mais bem confeccionados através do 'método todos em um'. Colocam-se todos os ingredientes na taça, os quais são processados até ficarem macios - aproximadamente 10 segundos. Deverá ser sempre utilizada uma margarina 'suave' retirada directamente do frigorífico e cortada em pedaços de 2cm.

massas/pastas salgadas

Coloque todos os ingredientes sólidos na taça, cortando-os em cubos de 2,5cm. Processe até estarem bem cortados. Acrescente natas, etc. e continue a processar até os ingredientes estarem bem misturados.

massa batida

Com a lâmina em posição, coloque os ingredientes secos, ovos e um pouco de líquido na taça, processe até ficar macia. Acrescente o líquido restante através do tubo de alimentação com a máquina em funcionamento.

massa levedada

Coloque a farinha, a gordura e outros ingredientes secos na taça e processe durante alguns segundos para fazer a mistura. Com o aparelho em funcionamento acrescente líquido através do tubo de alimentação e continue a processar até que a mistura forme uma massa e fique macia de aspecto e elástica ao toque - isto levará uns 45-60 segundos. Deixe a massa a levedar e de seguida volte a amassar durante 10 segundos.

pinha

Utilize-a apenas para claras de ovos e natas. A pinha não é adequada para outras receitas. Certifique-se de que a taça e a pinha se encontram completamente limpas e desengorduradas antes de bater as claras.

discos para cortar e picar

o que os discos para cortar e picar podem fazer.

disco de cortar - corta cenouras, batatas, couve, pepinos, courgettes, beterrabas e cebolas.

disco de picar - pica queijo, cenoura, batatas e alimentos de textura semelhante.

montar o suporte dos discos

- 1 Fixe o espaçador à extremidade do suporte dos discos ④.
- 2 Seleccione o prato desejado e coloque-o no suporte, com o lado de corte virado para cima.
- Localize a extremidade do disco por baixo do aro e pressione a outra extremidade de modo a que rode numa única direcção ⑤.

importante

Quando utilizar os pratos de cortar e picar, o espaçador deverá estar colocado na sua posição na extremidade do suporte.

utilizar os discos de corte

disco de corte

Corta pedaços de alimentos para ajustar o tubo de alimentação. Encha o tubo até ao topo e pressione a pega com uma ligeira pressão, com a máquina em funcionamento.

Poderá obter pedaços maiores empilhando horizontalmente os pedaços no tubo de alimentação, por exemplo, as cenouras.

disco para picar

Se necessário, corte os alimentos de modo a caberem no tubo de alimentação. Descaroe alimentos tais como maçãs e pimentos. Coloque os alimentos numa posição vertical no tubo de alimentação. A altura deverá ser ligeiramente inferior em relação ao tubo de alimentação. Utilizando a pega, pressione ligeiramente, com a máquina em funcionamento.

sugestões

- Use ingredientes frescos.
- Não pique comida em pedaços demasiado pequenos. Encha o tubo de alimentação até ao topo, o que impedirá que os alimentos deslizem lateralmente durante o processamento.
- Quando estiver a cortar ou picar: os alimentos colocados verticalmente saem mais pequenos do que os alimentos colocados horizontalmente.
- Depois de utilizar os discos de corte haverá sempre uma pequena quantidade de desperdício no disco ou no alimento.
- Não permita que os alimentos se acumulem no lado inferior do prato - esvazie regularmente.
- Empurre os alimentos através do tubo de alimentação fazendo uma ligeira pressão.

cúpula maxi-blend

Quando misturar, utilize a cúpula maxi-blend juntamente com a lâmina. Permite aumentar a capacidade de processamento de líquidos da taça e melhorar o desempenho de corte da lâmina.

- 1 Coloque a cúpula na taça sobre a lâmina - **não pressione** ⑥.
- 2 Coloque a tampa - a tampa assegurará que a cúpula fica localizada à altura correcta ⑦.

espremedor de citrinos (acessório opcional)

O espremedor de citrinos é utilizado para espremer citrinos tais como laranjas, limões, limas e toranjas.

- 1 Coloque a taça sobre o processador. Acrescente o espremedor e rode para a direita até a patilha do espremedor ficar alinhada com a marca no corpo do processador ⑧.
- 2 Fixe a peça espremadora sobre o veio accionador rodando-a até descer completamente ⑨.
- 3 Corte a fruta ao meio. Ligue e pressione a fruta sobre o espremedor.

liquidificador

Utilize o liquidificador para sopas finas, bebidas e maionese.

utilização do liquidificador

- 1 Retire a tampa da tomada de encaixe do liquidificador ⑩.
- 2 Coloque os ingredientes no jarro.
- 3 Rosque a tampa, com a tampa de enchimento introduzida, no jarro.
- 4 Rosque o jarro na tomada de encaixe.
- 5 Ligue no interruptor.
- 6 Depois de utilizar o liquidificador, torne sempre a tapar a tomada de encaixe do mesmo.

importante

- **O liquidificador só funcionará com a taça do robot, com a respectiva tampa, na posição devida.**
- **Ao utilizar a tomada de encaixe do liquidificador, recomendamos que não estejam instalados acessórios na taça do robot.**

sugestões

- Quando fizer maionese, coloque todos os ingredientes no liquidificador excepto o óleo. Com o aparelho em funcionamento, adicione o óleo através da tampa de enchimento e deixe-o misturar-se com os outros ingredientes.
- As misturas espessas, como patés e massas, podem ter de ser raspadas. Se tiver dificuldades em misturar os ingredientes, adicione mais líquido.
- Quando esmagar gelo, adicione 15 mls (1colher de sopa) de água para cada 6 cubos de gelo. Utilize o botão de impulso.

- Deixe que os líquidos quentes arrefeçam antes de os misturar no liquidificador - se a tampa não tiver sido colocada correctamente e se se soltar, o líquido pode derramar-se.
- Para garantir um tempo de vida útil prolongado para o liquidificador, não o accione durante mais de 60 segundos seguidos. Desligue-o assim que obtiver a consistência pretendida.
- Não utilize especiarias - podem danificar o plástico.
- O aparelho não funciona quando o liquidificador for colocado incorrectamente.
- Não introduza ingredientes secos no liquidificador antes de o ligar. Se for necessário, corte-os em pedaços mais pequenos, retire a tampa de enchimento e, em seguida, introduza-os um a um com a máquina em funcionamento.
- Não utilize o liquidificador como recipiente de armazenamento. Mantenha-o vazio antes e depois de o utilizar.
- Não misture mais de 1 litro - quantidade inferior para líquidos cremosos como batidos.

limpeza

- Antes de limpar o aparelho, desligue-o sempre no interruptor e retire a ficha da tomada de corrente.
- Nunca permita que a unidade de alimentação, o cabo ou a ficha fiquem molhadas.
- Manuseie as lâminas e os discos de corte com cuidado - eles são extremamente afiados.
- Alguns alimentos poderão descolorar o plástico. Isto é perfeitamente normal. Não danificará o plástico nem afectará o sabor do alimento. Esfregar com um pano embebido em óleo vegetal ajuda a remover a descoloração.

unidade de alimentação

- Enxague com um pano húmido, de seguida seque.
- Enrole o excesso de cabo em redor dos ganchos de arrumação do cabo situados na parte de trás do aparelho.

liquidificador

- 1 Encha de água quente, coloque a tampa, com a tampa de enchimento introduzida, e depois ligue no interruptor por 20 a 30 segundos.
 - 2 Despeje e enxagúe. Se ainda estiver sujo, utilize uma escova de loiça.
 - 3 Seque com um pano e em seguida deixe secar bem ao ar.
- Não deixe o liquidificador de molho em água. E não o deixe com água dentro.

outros componentes

- Lave à mão, de seguida seque completamente.
- Todos os acessórios (excepto o liquidificador) podem ser lavados na prateleira superior da máquina de lavar loiça.

serviço e assistência ao cliente

- Se o cabo estiver danificado deverá, por razões de segurança, ser substituído pela Kenwood ou um técnico autorizado pela Kenwood.
Se necessitar de ajuda em relação a:
 - utilização do seu aparelho, ou
 - assistência, peças adicionais ou reparações.
 contacte a loja onde adquiriu o seu aparelho.

Antes de leer, despliegue la cubierta que contiene las ilustraciones

seguridad

- Las cuchillas y los discos están muy afilados, manipúlelos con cuidado. **Tanto al usar como al limpiar, sujete siempre la cuchilla por la sujeción para dedos de la parte superior, sin acercarse al borde cortante.**
 - Retire siempre la cuchilla antes de vaciar el contenido del bol.
 - Mantenga las manos y los utensilios alejados del bol procesador y de la jarra de la licuadora mientras esté el aparato conectado a la red eléctrica.
 - Apague y desenchufe:
 - antes de montar o desmontar las piezas
 - después de usar
 - antes de limpiar
 - Nunca empuje los alimentos por el tubo de introducción de alimentos con los dedos. Utilice siempre el empujador de alimentos suministrado.
 - Antes de quitar la tapadera del bol o la licuadora de la unidad eléctrica:-
 - apague el aparato;
 - espere hasta que los accesorios/cuchillas se hayan parado por completo;
 - Deje que los líquidos calientes se enfríen antes de mezclarlos en la licuadora – si la tapadera no está bien encajada y se suelta, podrá salpicarse.
 - **Este aparato se dañará y podrá causar lesiones si el mecanismo de enclavamiento se somete a fuerzas excesivas.**
 - **A fin de evitar dañar el mecanismo de enclavamiento:**
 - **Enganche siempre el bol a la unidad eléctrica antes de intentar colocar la tapadera.**
 - **Desenganche siempre la tapadera antes de intentar sacar el bol de la unidad eléctrica.**
 - No deben utilizar el aparato los niños o ancianos sin supervisión.
 - Nunca utilice un accesorio no autorizado.
 - No deje que los niños jueguen con este aparato.
 - Nunca deje el aparato desatendido.
 - Nunca utilice un aparato dañado. Que lo revisen o arreglen: vea 'servicio'.
 - No permita que la unidad eléctrica, cable de alimentación o enchufe se mojen.
 - Nunca deje que el cable de alimentación cuelgue de la mesa o del tablero o toque superficies calientes.
 - No utilice su picadora de alimentos incorrectamente y utilícela exclusivamente para el uso doméstico al que se destina.
- antes de enchufar el robot de cocina**
- Asegúrese de que el suministro eléctrico coincide con el que figura en la parte inferior del aparato.
 - Este aparato cumple con la Directiva de la Comunidad Europea 89/336/CEE.

antes de utilizar el robot de cocina por primera vez

- 1 Retire todo el embalaje, incluso los protectores de plástico de la cuchilla. Estos protectores pueden desecharse ya que sirven únicamente para proteger la cuchilla durante su fabricación y transporte.
- 2 Lave las piezas: vea "Limpieza".
- 3 Recoja el exceso de cable en el lugar de almacenamiento de la parte trasera del aparato.

elementos principales

- ① enclavamiento de seguridad
- ② embutidor
- ③ tubo de entrada
- ④ tapa
- ⑤ bol
- ⑥ mecanismo del robot de cocina
- ⑦ palanca de encendido/apagado/pulsátil

accesorios

- ⑧ licuadora
 - ⑨ cuchilla
 - ⑩ disco troceador
 - ⑪ disco rebanador
 - ⑫ portadiscos
 - ⑬ separador
 - ⑭ batidor
 - ⑮ cubierta de mezclado máximo
 - ⑯ espátula
- ⑰ El exprimidor de cítricos es un accesorio opcional y no viene incluido en el lote.

utilización del robot de cocina

- 1 Coloque el bol sobre la base del robot de cocina, posicionando el mango hacia atrás. Baje el bol y gírelo en el sentido de las agujas del reloj hasta que se acople firmemente en su lugar ①.
- 2 Coloque el accesorio elegido sobre el mecanismo del robot de cocina.
- Coloque el bol y el accesorio sobre la máquina, antes de añadir cualquier ingrediente.
- 3 Coloque la tapa sobre el bol, con el tubo de entrada hacia la parte trasera de la máquina ②. Gire la tapa en el sentido de las agujas del reloj hasta que la flecha coincida con la línea sobresaliente del cuerpo del robot ③.
- **Si la tapa no se ajusta correctamente, el robot de cocina no funcionará.**
- 4 Encienda el aparato moviendo la palanca de encendido/apagado/pulsátil a la posición 'I' y procese los alimentos hasta obtener la consistencia deseada. O mueva la palanca a la posición pulsátil 'P' para poner en marcha el accesorio acoplado al bol en una acción empezar/parar. Esta característica pulsátil pone en marcha el motor y lo mantiene funcionando todo el tiempo que lo tenga en esta posición. Así podrá controlar la textura de los diferentes alimentos, p. ej., cuando pique carne.
- 5 Siga el procedimiento anterior en sentido inverso para retirar el bol, la tapa y los accesorios.
- Únicamente podrá quitarse la tapadera cuando la palanca de encendido/apagado/pulsátil esté en la posición '0'.

importante

Este aparato no sirve para machacar o moler granos de café o especias ni para convertir el azúcar granulado en azúcar extrafino. Si añade esencia de almendras a las mezclas, evite el contacto con el plástico ya que podrían quedar manchas permanentes.

capacidades máximas

claras de huevo	6
carne para picar	300g
peso de la harina para masa quebrada	250g
peso de la harina para masa para levadura	340g
peso total del bizcocho de elaboración en un solo paso	800g
sopa con cubierta	800ml
licuadora	1 litro

utilización de los accesorios

cuchilla

La cuchilla es el accesorio más versátil de todos. La textura obtenida depende del tiempo de elaboración. Para obtener texturas más gruesas utilice el "pulsador", controlando la consistencia regularmente.

usos de la cuchilla

carne cruda

Para hacer carne picada, retire el exceso de grasa de la carne cruda y córtela en dados de 2 cm. Coloque la carne en el bol y accione la máquina durante unos 10 segundos o hasta obtener la textura deseada. Cuanto más tiempo tenga la máquina en funcionamiento más suave será la textura obtenida.

carne cocida

Siga el mismo procedimiento que para la carne cruda, pero durante menor espacio de tiempo.

verduras

Corte las verduras en trozos de unos 2,5 cm. Procese los alimentos de textura parecida juntos, es decir, verduras duras como patatas y zanahorias, o verduras más blandas como champiñones, tomates y verduras cocidas.

galletas y pan rallado

Introduzca los trozos por el tubo de entrada con la máquina en funcionamiento.

pasta quebrada y tortas

Introduzca la harina en el bol. Utilice la manteca o mantequilla directamente del frigorífico y córtela en dados de 2 cm. Accione la máquina hasta obtener una mezcla parecida al pan rallado, sin procesarla en exceso. Con la máquina en marcha, añada el líquido por el tubo de entrada. Siga procesando hasta que se formen una o dos bolas de masa quebrada. Deje enfriar la masa antes de utilizarla.

Sopas

Haga un puré con sus sopas antes o después de cocinarlas. Escurra los ingredientes y colóquelos en el bol junto con una pequeña cantidad del líquido

indicado en la receta. Procese hasta obtener la consistencia deseada, y añada al resto del líquido.

frutos secos

Trocee los frutos secos para hacer bizcochos y galletas, colocándolos en el bol y procesándolos hasta obtener la consistencia deseada.

elaboración de bizcochos

La mejor forma de hacer bizcochos es mediante el método "todo en uno". Coloque todos los ingredientes en el bol y se mézclelos durante 10 segundos aproximadamente hasta obtener una masa uniforme. Utilice siempre margarina directamente del frigorífico, cortándola en dados de 2 cm.

sabrosas salsas y cremas para untar

Coloque los ingredientes sólidos en el bol en dados de 2,5 cm. Procéselos hasta que queden bien picados. Añada la nata, etc. y siga procesando hasta que todos los ingredientes queden perfectamente mezclados.

pasta

Con la cuchilla correctamente ubicada, añada los ingredientes secos, el huevo y un poco de líquido en el bol, y procéselos hasta obtener una masa uniforme. Añada el resto del líquido por el tubo de entrada con la máquina en marcha.

masa para levadura

Coloque la harina, la manteca o mantequilla y el resto de ingredientes secos en el bol y procéselos durante unos segundos para mezclarlos. Con la máquina en marcha, añada la mezcla líquida por el tubo de entrada y siga procesando hasta que la mezcla forme una masa y obtenga una apariencia uniforme y elástica al tacto. Este proceso le llevará unos 45-60 segundos. Deje que la masa suba y vuelva a amasarla durante otros 10 segundos.

batidor

Utilícelo sólo para claras de huevo y nata. El batidor no puede utilizarse para otras recetas. Al batir las claras, asegúrese de que el bol no tenga restos de grasa ni de yema de huevo.

discos rebanadores y troceadores

usos de los discos de corte

disco rebanador: para cortar zanahorias, patatas, col, pepino, calabacines, remolacha, cebolla.

disco troceador: para rallar queso, zanahoria, patata y alimentos de similar textura.

montaje del portadiscos

- 1 Inserte el separador en el extremo del portadiscos ④.
- 2 Seleccione el disco deseado y colóquelo en el portadiscos con el filo hacia arriba.
- Coloque un extremo del disco bajo el borde y presione el otro extremo hasta ajustarlo en su posición. Se ajusta con una sola vuelta ⑤.

importante

Mientras se estén utilizando los discos rebanador y troceador, el separador debe estar insertado en el extremo del portadiscos.

utilización de los discos de corte

disco troceador

Trocee los alimentos antes de introducirlos en el tubo de entrada. Llene el tubo de entrada casi hasta el borde y empuje los alimentos con el embutidor ejerciendo una presión uniforme con la máquina en funcionamiento. Para obtener tiras más largas, amontone los trozos (por ejemplo, las zanahorias) horizontalmente en el tubo de entrada.

disco rebanador

Si es necesario, corte los alimentos antes de introducirlos en el tubo de entrada. Quite el corazón de frutas y verduras tales como manzanas y pimientos. Coloque los alimentos verticalmente en el tubo de entrada. La altura de los alimentos debería ser ligeramente inferior a la del tubo de entrada. Con la ayuda del embutidor, ejerza una presión uniforme sobre los alimentos con la máquina en funcionamiento.

consejos

- Utilice productos frescos.
- No corte la comida en trozos demasiado pequeños. Llene el tubo de entrada casi hasta arriba para evitar que la comida se deslice hacia los lados al procesarla.
- Al rebanar o trocear, si dispone los alimentos verticalmente, obtendrá trozos y rebanadas más cortos que si los dispone horizontalmente.

- Después de usar una cuchilla de corte, siempre quedarán pequeñas cantidades de desperdicios en el disco o en la comida.
- No deje que la comida se acumule en la parte inferior del disco, vacíelo regularmente.
- Empuje la comida por el tubo de entrada ejerciendo una presión uniforme.

cubierta de mezclado máximo

Para mezclar alimentos, utilice la cubierta de mezclado máximo junto con la cuchilla. Ello le permitirá aumentar la capacidad de proceso de líquidos en el bol y mejorará la capacidad de corte de la cuchilla.

- 1 Coloque la cubierta en el bol sobre la cuchilla sin presionar ⑥.
- 2 Coloque la tapa. Este accesorio asegura que la cubierta esté situada a la altura adecuada ⑦.

exprimidor de cítricos (accesorio opcional)

El exprimidor de cítricos se utiliza para hacer zumos de cítricos como naranjas, limones, lima y pomelos.

- 1 Acople el bol sobre el procesador. Coloque el colador y gírelo en el sentido de las agujas del reloj hasta que la aleta del mismo coincida con la marca del cuerpo del robot de cocina ⑧.
- 2 Coloque el cono sobre el eje de transmisión girándolo hasta que caiga hasta el fondo ⑨.
- 3 Corte la fruta por la mitad. Encienda el aparato y presione la fruta sobre el cono.

licuadora

Utilice la licuadora para hacer sopas finas, bebidas y mayonesa.

uso de la licuadora

- 1 Retire el protector de la salida de potencia ⑩.
- 2 Ponga los ingredientes en la jarra.
- 3 Enrosque la tapadera y el tapón de llenado en la jarra.
- 4 Enrosque la jarra en salida de potencia.
- 5 Encienda.
- 6 Después de haber utilizado la licuadora, coloque siempre el protector de la salida de potencia.

importante

- El accesorio de licuadora sólo funcionará si el bol procesador y la tapadera están colocados.
- Cuando utilice la salida de potencia de la licuadora, recomendamos que no haya utensilios en el bol procesador.

consejos

- Para hacer mayonesa, coloque todos los ingredientes en la licuadora, excepto el aceite. Una vez que la máquina esté en funcionamiento, vierta el aceite en el tapón de llenado y deje que caiga poco a poco.
- Al trabajar con mezclas espesas, por ejemplo, patés y salsas, puede ser necesario desmenuzar los ingredientes. Si el proceso resulta difícil, añada más líquido.
- Al triturar hielo añada 1 cucharada sopera (15 mls) de agua por cada 6 cubitos. Utilice el pulsador.
- Deje enfriar los líquidos calientes antes de mezclarlos en la licuadora; si la tapa no se ha encajado perfectamente y el líquido se sale, podría quemarse con las salpicaduras.
- Para garantizar la vida útil de la licuadora, no la haga funcionar más de 60 segundos seguidos. Desenchúfela tan pronto como consiga la consistencia adecuada.
- No utilice el robot de cocina para triturar especias ya que podrían dañar el plástico.
- El aparato no funcionará si la licuadora no está encajada correctamente.
- No ponga ingredientes secos en la licuadora antes de ponerla en marcha. Si fuese necesario, córtelos en trozos pequeños; retire el tapón de llenado; con la máquina en funcionamiento, introduzca los trozos uno a uno.
- No utilice la licuadora para almacenar líquidos. Manténgala limpia antes y después de utilizarla.
- Nunca mezcle cantidades superiores a 1 (un litro y medio); la cantidad debe ser menor para líquidos espumosos, como los batidos a base de leche.

limpieza

- Apague y desconecte siempre el aparato antes de proceder a su limpieza.
- Evite que el bloque motor, el cable y el enchufe se mojen.
- Maneje las cuchillas y discos de corte con cuidado, están muy afilados.
- Algunos alimentos pueden manchar el plástico. Es algo totalmente normal y no causa ningún daño en el plástico ni tiene efectos en el sabor de los alimentos. Para quitar las manchas, frote con un trapo impregnado en aceite vegetal.

bloque motor

- Límpielo con un trapo húmedo y séquelo a continuación.
- Recoja el exceso de cable en el lugar de almacenamiento de la parte trasera del aparato.

licuadora

- 1 Llene con agua templada, coloque la tapadera y el tapón de llenado, a continuación ponga en marcha durante 20-30 segundos.
 - 2 Vacíe, a continuación aclare. Si sigue sucia, utilice un cepillo.
 - 3 Pase un paño y deje que se seque al aire.
- No deje la licuadora a remojo en agua. Y no deje agua dentro.

otras piezas

- Límpielas a mano y séquelas completamente.
- Todos los accesorios (excepto la licuadora) pueden lavarse en la bandeja superior del lavavajillas.

servicio y atención al consumidor

- Por razones de seguridad, si el cable está dañado, debe ser sustituido por Kenwood o por un técnico autorizado de Kenwood.
Si necesita ayuda para
- utilizar el aparato o
- obtener servicio, piezas de recambio o reparaciones, póngase en contacto con el establecimiento en el que adquirió el aparato

Türkçe

Kullanım yönergelerini okumadan önce ön sayfayı çeviriniz ve açıklayıcı resimlere bakınız

emniyet

- Aygıtın bıçakları ve diskleri çok keskindir. Bu yüzden çok dikkatli olunuz. **Bıçakları kullanmadan önce ve temizlemeden önce bıçağın üst tarafındaki parmak tutaklarından tutunuz.**
 - İşlediğiniz yiyecekleri çanakdan boşaltmadan önce her zaman bıçakları çıkarınız.
 - Aygıtın fişi prize takılı olduğu zaman ellerinizi ve her türlü mutfak gerecini çanakdan ve sıvılaştırıcı / öğütücünün sürahisinden uzak tutunuz.
 - Yiyecek işleyicinin parçalarını takmadan ya da çıkarmadan önce, kullandıktan sonra ve temizledikten sonra fişini prizden çekiniz.
 - Hiçbir biçimde yiyecekleri besleme borusuna parmaklarınızla itmeyiniz. Her zaman verilen yiyecek iticiyi kullanınız.
 - Kapağı çanakdan almadan ya da sıvılaştırıcı / öğütücüyü güç biriminden çıkarmadan önce, aygıtın fişini prizden çekiniz ve ek parçaların / bıçakların tamamen durmasını bekleyiniz.
 - Sıvılaştırıcı / öğütücüyü koyduğunuz sıcak sıvı yiyecekleri işlemeyen önce soğumasını bekleyiniz. Aygıtın kapağını iyice yerine yerleştirmeden önce takdirde kapak yerinden çıkabilir ve yiyecekler üstünüze sıçrayabilir.
 - **Bu aygıtın parça bağlantı düzeneği zorlandığı takdirde aygıt hasar görebilir ve yaralanmalara neden olabilir.**
 - **Aygıtın parça bağlantı düzeneğinin hasar görmemesi için aşağıdaki yönergeleri izleyiniz:**
 - **Kapağı takmadan önce, her zaman çanağı güç birimine yerleştiriniz.**
 - **Çanağı güç biriminden çıkarmadan önce, her zaman kapağı açınız.**
 - Bu aygıt, genç çocuklar ve engelli kişiler tarafından ancak denetim altında kullanılmalıdır.
 - Yetkili üreticinin sağladığı ek parçalar dışında aygıtta başka bir ek parça takmayınız ve kullanmayınız.
 - Çocukların aygıtla oynamalarına izin vermeyiniz.
 - Aygıtı kullanırken hiçbir biçimde başından ayrılmayınız.
 - Hasarlı aygıtları hiçbir zaman kullanmayınız. Hasarlı aygıtı denetimden ya da onarımdan geçirtiniz. Bu konuda 'bakım' bölümüne bakınız.
 - Aygıtın güç birimini, elektrik kordonunu ve fişini hiçbir biçimde ıslatmayınız.
 - Elektrik kordon fazlasının çalışma yüzeyinden sarkmamasına ve sıcak yüzeylere dokunmamasına dikkat ediniz.
 - Yiyecek işleyiciyi yalnızca yönergelerde belirtilen amaçlar için kullanınız.
- cihazı elektrığe bağlamadan önce**
- Şebeke voltajının, cihazınızın alt yüzeyinde belirtilen voltaj değeri ile aynı olmasına dikkat edin.
 - Bu cihaz AB'nin 89/336/EEC no.lu direktifine uygundur.
- ilk kullanımdan önce**
- 1 Plastik bıçak kılıfları dahil tüm ambalaj parçalarını çıkartın. Bu kılıflar, yalnızca üretim ve nakliyat sırasında bıçakları korumak üzere takılmıştır ve atılabilir.
 - 2 Parçaları yıkayın: Bknz. Temizlik.
 - 3 Elektrik kablosunun fazla gelen kısmını cihazın arka tarafındaki kablo muhafazasına sarın.

parçalar

- ① emniyet kilidi
- ② gıda iticisi
- ③ gıda girişi
- ④ kapak
- ⑤ kase
- ⑥ tahrik mili
- ⑦ açma/kapama/titreşim kolu

ek parçalar

- ⑧ sıvılaştırıcı / öğütücü
- ⑨ bıçak
- ⑩ doğrama bıçağı
- ⑪ dilimleme bıçağı
- ⑫ bıçak tabanı
- ⑬ ara parçası
- ⑭ çırpıcı
- ⑮ büyük karıştırıcı
- ⑯ spatula

- ⑰ Narenciye sıkıcısı isteğe bağlı bir aksesuardır ve paketinizde bulunmayabilir.

mutfak robotunun kullanımı

- 1 Kaseyi, - kase kolu arkaya bakacak şekilde - robota yerleştirerek aşağı bastırın ve yerine sıkıca oturana kadar saat yönünde çevirin ①.
- 2 Ek parçalardan birini tahrik miline takın.
- Kaseye, ek parça takmadan ve cihaza yerleştirmeden önce gıda koymayın.
- 3 Kapağı kaseye takın. Gıda girişi, cihazın arka tarafına bakmalıdır. ②. Kapağı, üzerindeki ok cihazın gövdesindeki kabartma çizgi ile birleşene dek saat yönünde çevirin ③.
- **Cihaz, kapak düzgün takılmadığında çalışmayacaktır.**
- 4 Açma/kapama/titreşim kolunu 'I' konuma getiriniz ve işlediğiniz yiyecekler istediğiniz kıvama gelinceye kadar aygıtı çalıştırınız YA DA sürahiye takılan ek parça ile çalıştırma/durdurma işlemini yapabilmek için kolu 'P' titreşim konumuna getiriniz. Titreşim işlevi motoru çalıştırır ve aynı konumda tutulduğu sürece motorun sürekli çalışmasını sağlar. Aygıtın bu özelliği, örneğin et gibi yiyeceklerin ve çeşitli diğer yiyeceklerin kıvamını denetlemenize olanak verir.
- 5 Kase, kapak ve ek parçaları çıkartmak için yukarıda anlatılan işlemleri ters sırayla uygulayın.
- Kapaqk, ancak açma/kapama/titreşim kolu '0' konumunda olduğu zaman açılabilir.

dikkat

Bu yiyecek işleyici, çekirdek kahve, baharat gibi yiyecekler parçalamak ya da öğütmek için kullanılmamalıdır. Ayrıca bu aygıtla tuz şekeri pudra şeker yapmaya çalışmayınız.

Kase içindeki gıdalara badem esansı ya da tatlandırıcı eklerken plastik parçalar ile temas etmemesine dikkat edin. Aksi halde kalıcı izler oluşabilir.

azami kapasite

Yumurta akı	6
Et doğrama	300gr
Gevrek hamur un ağırlığı	250gr
Mayalı hamur unu ağırlığı	340gr
Pandispanya toplam ağırlığı	800gr
Çorba (katı malzemeli)	800ml
sıvılaştırıcı/öğütücü	1 litre

ek parçaların kullanımı

bıçak

Bıçak, ek parçalar arasında kullanım olanakları en fazla olan parçadır. İşlediğiniz gıdaların kıvamı, cihazın çalışma süresine bağlıdır. Daha koyu kıvamlar için çalıştırma düğmesini kullanın ve düzenli olarak kontrol edin.

bıçak ile yapabilecekleriniz.

Çiğ et

Kıyma yapmak için etin fazla yağlarını alarak eti 2 cm'lik küpler halinde kesin. Et parçalarını kaseye koyarak istediğiniz kıvama gelene kadar ya da yaklaşık 10 saniye çevirin. Cihazı ne kadar uzun çalıştırırsanız kıvam o kadar ince olur.

pişmiş et

Çiğ et için uygulanan işlemin aynısını tekrarlayın ancak daha kısa süre çevirin.

sebze

Sebze parçalarını yaklaşık 2.5 cm'lik parçalara bölün. Benzer yapıdaki sebzeleri, örn. havuç ya da patates gibi sert sebzeler ya da mantar, domates gibi yumuşak sebzeler ya da pişmiş sebzeleri birlikte işleyin.

bisküvi ve galeta tozu

Cihaz çalışırken, gıda girişinden parçalar halinde içeri atğın.

gevrek hamur işi ve çörek

Unu kaseye dökün. Buzdolabından çıkardığınız yağ 2 cm'lik küpler halinde kesin. Karışım, ince ekmek kırıntılarına benzeyene kadar çevirin ancak fazla çevirmemeye özen gösterin. Cihaz çalışırken gıda girişinden sıvıyı dökün. Bir ya da iki hamur topu oluşana kadar çevirmeye devam edin. Kullanmadan önce soğutun.

çorbalar

Çorbaları, pişirmeden önce ya da sonra püre haline getirin. Çorbanın katı malzemelerini biraz sıvı ile kaseye yerleştirin ve istediğiniz kıvamı elde edene kadar çevirin. Sonra sıvının kalanını ekleyin.

fındık

Kek ve bisküvilerde kullanmak üzere fındık öğütün. Fındıkları kaseye yerleştirin ve istediğiniz kıvamı elde edene kadar çevirin.

kekler

Pandispanya türü kekler en iyi "hepsi bir arada" yöntemi ile yapılır. Tüm malzemeler kaseye dökülür ve muhallebi kıvamına gelene dek yaklaşık 10 saniye kadar çevrilir. Daima buzdolabından yeni alınmış ve 2 cm'lik küpler halinde kesilmiş katı yağ kullanın.

baharatlı koyu soslar/mezeler

Katı malzemeleri 2,5 cm'lik küpler halinde keserek kaseye yerleştirin ve ince kıyılana kadar çevirin. Sonra krema vs. ekleyin ve tüm malzemeler iyice karışana kadar çevirmeye devam edin.

akıtma hamur

Bıçağı kaseye takarak kuru malzemeleri, yumurtayı ve biraz sıvı ile birlikte kaseye yerleştirin. Kalan sıvıyı, makine çalışırken gıda girişinden içeri dökün.

mayalı hamur

Un, yağ ve diğer malzemeleri kaseye dökün ve birkaç saniye karıştırın. Sıvı karışımını, cihaz çalışırken gıda girişinden içeri dökün ve malzeme hamur haline gelene kadar karıştırmaya devam edin. İşleme, hamur düzleşene ve elastiki bir kıvamda gelene kadar devam edin (yaklaşık 45-60 saniye). Hamurun kabarmasını bekleyin ve sonra 10 saniye daha yoğurun.

çırpıcı

Çırpıcıyı yalnızca yumurta akı ve krema için kullanın. Çırpıcı diğer malzemeler için uygun değildir. Yumurta akı çırparken kase ve çırpıcıda yağ ya da yumurta sarısı artıklarına olmamasına dikkat edin.

dilimleme ve doğrama bıçakları

dilimleme ve doğrama bıçakları ile yapabileceğiniz.

dilimleme bıçağı ile - havuç, patates, lahana, salatalık, kapak, kırmızı pancar ve soğan dilimleyebilirsiniz.

doğrama bıçağı ile - peynir, havuç, patates ve benzer dokulu gıdaları rendeleyebilirsiniz.

bıçak tabanının birleştirilmesi

- 1 Ara parçasını, bıçak tabanının ucuna takın ④.
- 2 Kullanacağınız bıçağı seçin ve keskin tarafı yukarıya bakacak şekilde yerleştirin.
- Bıçağın bir ucunu, kenarın altına takın ve diğer ucunu yerine itin. Bıçak ancak tek bir yönde takılabilmektedir ⑤.

önemli bilgi

Ara parçası, dilimleme ve doğrama bıçaklarını kullanırken, tabanın ucuna takılmalıdır.

kesici bıçakların kullanılması

doğrama bıçağı

Doğrayacağınız gıdaları, gıda girişinden geçecek şekilde kesin. Gıdaları, gıda girişinin ağzına kadar doldurun ve cihaz düzenli bir şekilde çalışırken gıda iticisi ile itin. Daha uzun rendelenmiş parçalar elde etmek için gıdaları (örn. havuç) gıda iticisinin içine enlemesine yerleştirin.

dilimleme bıçağı

Gıdaları gerektiğinde gıda girişinden geçebilecek şekilde kesin. Elma ve biber gibi meyvelerin çekirdeğini çıkartın. Gıdaları, gıda girişine dik olarak yerleştirin. Gıdaları, gıda girişinin üst kenarında biraz boşluk bırakacak şekilde dizin ve cihaz düzenli bir şekilde çalışırken gıda iticisi ile itin.

öneriler

- Taze gıdalar kullanın.
- Gıdaları çok küçük parçalar halinde kesmeyin. Gıda girişini iyice doldurarak gıdaların yanlardan fırlamasını önleyebilirsiniz.
- Dilimlerken ya da doğrarken: Cihaza dik olarak itilen gıdalar yatay olarak itilenlerden daha kısa çıkar.
- Kesici bıçakları kullandıktan sonra bıçaklar ya da gıda içinde daima bir miktar artık kalır.
- Bıçakların alt kısmında gıda birikmesine izin vermeyin ve düzenli olarak temizleyin.
- Gıdaları, gıda girişinden düzenli bir basınç ile itin.

büyük karıştırıcı

Karıştırma işlemi için büyük karıştırıcıyı bıçak ile birlikte kullanın. Bu şekilde kaseenin sıvı kapasitesini ve bıçağın kesme başarısını artırabilirsiniz.

- 1 Karıştırıcıyı kase içindeki bıçağın üzerine yerleştirin. **Karıştırıcıyı aşağı bastırmayın** ⑥.
- 2 Kapağı takın. Kapak, karıştırıcının doğru yükseklikte durmasını sağlar ⑦.

narenciye sıkacağı (isteğe bağlı aksesuar)

Narenciye sıkacağı, portakal, limon ve greyfurt gibi turuncgillerin suyunu sıkamak için kullanılmaktadır.

- 1 Kaseyi, cihaza takın. Sıkacak kasesini üzerine yerleştirin ve sıkacak kasesini üzerindeki kanat cihaz gövdesindeki işaretlere kadar saat yönünde çevirin ⑧.
- 2 Koniye, tam yerine oturana kadar çevirerek tahrik miline geçirin ⑨.
- 3 Suyunu sıkacağınız meyveyi iki yarım parça halinde kesin. Cihazı çalıştırın ve meyve yarısını koniye bastırın.

sıvılaştırıcı/öğütücü

Sıvılaştırıcı/öğütücüyü lezzetli çorba, içecek ve mayonez yapmak için kullanınız.

sıvılaştırıcı/öğütücünün kullanımı

- 1 Ek parça yeri kapağını ⑩ çıkarınız.
- 2 Yiyecekleri sürahiye doldurunuz.
- 3 Kapağı ve doldurma başlığını çevirerek sürahiye takınız.
- 4 Sürahiyi çevirerek yerine takınız.
- 5 Sıvılaştırıcı/öğütücüyü çalıştırınız.
- 6 Kullandıktan sonra ek parça yeri kapağını ne zaman yerine takınız.

önemli uyarı

- **Sıvılaştırıcı/öğütücü ek parçası, ancak yiyecek işleyicinin çanağı ve kapağı uygun konumda olduğu zaman çalışır.**
- **Sıvılaştırıcı/öğütücüyü kullanırken, yiyecek şleyicinin içinde herhangi bir ek parça bırakmayınız.**
- **öneriler**
- Mayonez hazırlarken, yağ dışındaki tüm malzemeleri sıvılaştırıcıya dökün. Yağı, cihaz çalışırken doldurma kapağına doldurun. Yağ, buradana yavaşça kabın içine sızar.
- Pate ve sos gibi kıvamlı karışımların biraz inceltilmesi gerekebilir. Karışım işlenemeyecek kadar kıvamlıysa biraz daha sıvı ekleyin.
- Buz kırarken, küp şeklinde 6 buz parçası için 15 ml (1 tatlı kaşığı) su ekleyin. Buz kırmak için çalıştırma düğmesini kullanın.
- Sıvılaştırıcıda karıştırmak istediğiniz sıcak sıvıların önce soğumasını bekleyin - düzgün takılmamış bir kapak yerinden çıktığında sıcak sıvı üzerinize sıçrayabilir.
- Sıvılaştırıcının uzun ömürlü olmasını sağlamak için 60 saniyeden daha uzun çalıştırmayın. Karışımınız doğru kıvamda gelir gelmez, cihazı kapatın.
- Cihazınızda baharat işlemeyin - Baharatlar plastik kısımlara zarar verebilir.
- Cihaz, sıvılaştırıcı yerine tam oturmadığında çalışmaz.
- Sıvılaştırıcıyı çalıştırmadan önce içine kuru malzemeler koymayın. Gerekirse bu malzemeleri küçük parçalar halinde kesin, doldurma kapağını çıkartın ve cihaz çalışırken birer birer kabın içine atın.
- Sıvılaştırıcıyı, muhafaza kabı olarak kullanmayın. Sıvılaştırıcı kabı kullanımdan önce ve sonra boş olmalıdır.
- 1 litre üzerinde malzeme karıştırmayın - Milkshake gibi köpüklü sıvılar için bu miktar daha az olmalı.

temizlik

- Temizliğe başlamadan önce daima cihazı kapatıp fişini prizden çekin.
- Cihazın motor kısmı, elektrik kablosu ya da elektrik fişinin ıslanmamasına özen gösterin.
- Bıçaklar çok keskindir. Takıp çıkartırken çok dikkatli davranın.
- Bazı gıdalar, plastiğin rengini değiştirecektir. Bu çok normaldir. Bu durum plastiğe zarar vermez ve yiyeceklerinizin tadını etkilemez. Biraz sıvı bitkisel yağ sürülmüş bir bez ile ovarak bu durumu giderebilirsiniz.

güç birimi

- Nemli bir bez ile silerek kurutun.
- Elektrik kablosunun fazla gelen kısmını cihazın arka tarafındaki kablo muhafazasına sarın.

sıvılaştırıcı/öğütücü

- 1 Ilık su doldurunuz. Kapağı ve doldurma başlığını takınız ve 20-30 saniye çalıştırınız.
 - 2 Suyu boşaltınız ve durulayınız. Hala kirliyse, fırça kullanınız.
 - 3 Siliniz ve açık havada kurulamaya bırakınız.
- Sıvılaştırıcı/öğütücüyü suya batırmayınız ve içinde su bırakmayınız.

diğer parçalar

- Elle yıkayıp iyice kurulayın.
- Sıvılaştırıcı/öğütücü dışındaki tüm ek parçalar, bulaşık makinesinin üst rafında yıkanabilir.

yetkili servis ve müşteri hizmetleri

- Arızalı elektrik kabloları güvenlik nedeniyle değiştirilmelidir. Bunun için Kenwood ya da yetkili bir Kenwood servisine başvurabilirsiniz.
- cihazınızın kullanımı ya da
- bakım, yedek parça ya da servis (garanti kapsamı içinde ya da dışında) ile ilgili yardım almak için cihazı satın aldığınız mağazaya başvurun.

Než začnete návod číst, rozložte si první stránku s ilustracemi

bezpečnostní zásady

- Nože a krájecí destičky jsou velmi ostré a proto s nimi zacházejte opatrně. **Nůž při manipulaci a čištění vždy uchopte za držátko v jeho vrcholu, stranou od ostří.**
 - Před vylitím obsahu z mísy vždy odstraňte nůž.
 - Když je stroj připojen k síti, nepřibližujte ruce a nástroje k jeho míse, ani ke džbánu mixéru.
 - Stroj vypínejte a odpojujte od síťové zásuvky:
 - před přidáváním nebo odstraňováním dílů
 - po skončení používání
 - před čištěním
 - Potraviny nikdy nezasouvejte do zaváděcí trubice prsty. Vždy používejte tlačku, která je součástí stroje.
 - Před sejmutím víka mísy nebo odpojením mixéru od hnací jednotky:-
 - stroj vypněte;
 - počkejte, dokud se nože či jiné příslušenství zcela nezastaví;
 - Horké kapaliny nechejte zchladnout, než je začnete zpracovávat v mixéru. Pokud bezpečně nenasadíte víko a to se sesmekne, obsah mixéru vás může postříkat.
 - **Pokud je propojovací mechanismus vystaven působení nadměrné síly, stroj se poškodí a může způsobit zranění.**
 - **Aby nedošlo k poškození propojovacího mechanismu:-**
 - **mísu před nasazením víka vždy upevněte na hnací jednotce;**
 - **před sejmutím mísy z pohonné jednotky vždy nejdříve uvolněte její víko.**
 - Děti a nesvéprávné osoby nesmějí tento stroj používat bez dozoru.
 - Nikdy nepoužívejte neschválené příslušenství.
 - Nedovolte, aby si děti s tímto strojem hrály.
 - Stroj nikdy nenechávejte bez dozoru.
 - Nikdy nepoužívejte poškozený stroj. Nechejte jej zkontrolovat nebo opravit: viz 'servis'.
 - Nikdy nedovolte, aby se namočila pohonná jednotka, napájecí kabel nebo jeho zástrčka.
 - Nedovolte, aby napájecí kabel visel přes okraj stolu či pracovní desky a aby se dotýkal horkých povrchů.
 - Stroj na přípravu jídla používejte jen k příslušnému účelu v domácnosti a nezneužívejte jej.
- než spotřebič zapojíte do zásuvky**
- Zkontrolujte, zda elektrický proud v rozvodu odpovídá údajům uvedeným na spodní straně spotřebiče.
 - Tento spotřebič odpovídá směrnicí Evropského hospodářského společenství č. 89/336/EHS.

před prvním použitím

- 1 Sekací nůž zbavte všech obalů, včetně plastových krytů ostří. Kryty vyhodte, chrání ostří nože pouze během výroby a přepravy.
- 2 Součásti stroju omyjte – viz „čištění“.
- 3 Je-li přívodní kabel delší, než je nutné, zkraťte jej stočením do prostoru pro kabel na zadní straně spotřebiče.

legenda

- ① bezpečnostní pojistka
- ② tlačidlo
- ③ plnicí hrdlo
- ④ víko
- ⑤ pracovní nádoba
- ⑥ pohon kuchyňského stroju
- ⑦ páčkový přepínač (on/off/pulse)

příslušenství

- ⑧ mixér
 - ⑨ sekací nůž
 - ⑩ strouhací kotouč
 - ⑪ plátkovací kotouč
 - ⑫ unašeč kotoučů
 - ⑬ vložka
 - ⑭ šlehač
 - ⑮ maxi kryt
 - ⑯ stěrka
- ⑰ Lis na citrusové ovoce se dodává na přání a není nutně součástí výbavy Vašeho stroju.

jak používat kuchyňský strojek

- 1 Pracovní nádobu nasadte na podstavec stroju rukojetí dozadu. Nechte dosednout a otočte vpravo, až zapadne na své místo – ①.
- 2 Na pohonnou jednotku stroju nasadte některou součást příslušenství.
 - Nádobu a zvolené příslušenství vždy nejprve nasadte na strojek, teprve pak přidávejte přísady.
- 3 Víko nasadte na pracovní nádobu tak, aby plnicí hrdlo směřovalo k zadní straně stroju – ②. Otočte doprava, až je šipka na víku v rovině s ryskou na skřínce stroju – ③.
- **Pokud víko na nádobu nenasadíte správně, kuchyňský strojek se nerozběhne.**
- 4 Zapněte stroj přesunutím páčkového přepínače do polohy 'I' a nechejte jej v chodu, dokud nedosáhnete požadované konzistence příslušných potravin, NEBO páčkový přepínač posuňte do impulsní polohy 'P', čímž se uvede do chodu nástroj připevněný k míse fungující v režimu start/stop. Impulsní funkce ovládá motor a udržuje jej v chodu, dokud je přepínač v příslušné poloze. To vám umožňuje kontrolovat strukturu různých potravin při přípravě jídel, např. při zpracovávání masa.
- 5 Při snímání pracovní nádoby, víka a příslušenství postupujte opačně.
 - Víko se smí sejmut pouze tehdy, když je páčkový přepínač nastaven do polohy '0'.

upozornění

Tento stroj není vhodný k drcení či mletí kávových zrn a koření nebo k drcení krystalového cukru na moučkový.

Přidáváte-li do směsi mandlovou esenci, dbejte na to, aby nepřišla do styku s materiály z plastu. Mohla by na nich zanechat neodstranitelné skvrny.

maximální množství

vaječné bílky	6
maso k mletí (sekání)	300 g
váha mouky do těsta na křehké pečivo	250 g
váha mouky do kynutého těsta	340 g
celková váha jednoduchého piškotového dortu	800 g
polévka s použitím krytu	800 ml

jak používat příslušenství

sekací nůž

Sekací nůž má z celého příslušenství nejširší uplatnění. Výsledná konzistence je dána délkou zpracování. Přejete-li si dosáhnout hrubší konzistence, použijte impulsní funkci a strukturu směsi pravidelně sledujte.

co sekací nůž dokáže

syrové maso

Maso bude jako umleté, když nejprve odříznete přebytečný tuk, maso nakrájíte na 2 cm kostičky, dáte do pracovní nádoby a strojek zapnete asi na 10 vteřin, nebo na tak dlouho, než dosáhnete požadované konzistence. Čím déle necháte strojek v chodu, tím bude struktura jemnější.

vařené maso

Postupujte stejně jako u syrového masa, ale strojek nechte běžet o něco kratší dobu.

zelenina, brambory, houby

Suroviny pokrájte asi na 2 cm kousky. V jedné várce zpracovávejte druhy s podobnou strukturou, např. zvlášť tvrdší zeleninu – mrkev a brambory, a zvlášť měkkí – houby, rajčata a vařenou zeleninu.

příprava strouhanky a drtě z pečiva

Kousky pečiva vhažujte do plnicího hrdla za chodu strojku.

křehké linecké a lístkové těsto

Nasypte mouku do pracovní nádoby. Tuk, ještě tuhý z chladničky, nakrájejte na 2 cm kostky. Nechte strojek zapnutý, až směs vypadá jako jemná strouhanka. Dejte pozor, aby se směs nezpracovávala příliš dlouho. Za chodu přilijte plnicím hrdlem tekutinu. Nechte běžet, až se vytvoří jedna nebo dvě hroudy těsta. Před dalším zpracováním nechte uležet v chladu.

polévky

Polévky lze pasírovat před vařením i po vaření. Přísady nechte okapat a dejte do pracovní nádoby s trochou tekutiny podle receptu. Nechte zpracovat až do dosažení požadované konzistence, pak přilijte zbytek tekutiny.

ořechy

Ořechy do dortů a pečiva lze nasekat tak, že je nasypeme do pracovní nádoby a dáme zpracovat až do dosažení požadované konzistence.

příprava dortu

Piškotové dorty se nejlépe připravují metodou „vše v jednom“. Všechny přísady vložte do pracovní nádoby a dejte zpracovat, až je těsto vláčné, asi 10 vteřin. Vždy používejte margarín přímo z chladničky, nakrájený na 2 cm kostky.

pikantní studené omáčky a pomazánky

Tuhé přísady, pokrácené na 2,5 cm kostky, vložte do pracovní nádoby. Dejte zpracovat, až jsou najemno nasekané. Přidejte smetanu apod. a pokračujte, až se přísady spojí.

lité těsto

Do pracovní nádoby s nasazeným sekacím nožem vložte suché přísady, vejce a trochu tekutiny a nechte zpracovat do hladka. Za chodu přilijte zbývající tekuté přísady.

kynuté těsto

Do pracovní nádoby přidejte mouku, tuk a jiné tuhé přísady a několik vteřin je míchejte. Za chodu strojku přilijte plnicím hrdlem tekutou směs a nechte zpracovávat tak dlouho, až ze směsi vznikne těsto, na pohled hladké a na omak vláčné – to potrvá 45–60 vteřin. Dejte těsto vykynout a pak ještě jednou na 10 vteřin zpracovat.

šlehač

Používejte jen ke šlehání bílků a šlehačky. Šlehač se nehodí k přípravě jiných jídel. Při šlehání bílků dbejte na to, aby na pracovní nádobě ani na šlehači nebyly zbytky tuku nebo vaječného žloutku.

plátkovací a strouhací kotouče

co tyto kotouče dokážou

plátkovací kotouč – krájet na plátky mrkev, brambory, brukev, okurku, cuketu, červenou řepu;
strouhací kotouč – strouhat sýr, mrkev, brambory a potraviny podobné konzistence.

jak nasadit unašeč kotoučů

- 1 Nasadte na konec unašeče kotoučů vložku – 4.
- 2 Vyberte vhodný kotouč a nasadte ho na unašeč řezací stranou nahoru.
- Natočte kotouč jedním koncem pod okraj a druhý konec zatlačte na místo, kotouč lze umístit jen jedním způsobem – 5.

upozornění

Při použití plátkovacího a strouhacího kotouče musí být na konci unašeče správně nasazena vložka.

jak používat kotouče

strouhací kotouč

Potraviny nakrájejte tak, aby se vešly do plnicího hrdla. Hrdlo naplňte skoro až po okraj a za chodu strojku tlačidlem na obsah rovnoměrně tlačte. Poskládáte-li potraviny, např. mrkev, do plnicího hrdla vodorovně, nastrouhané kousky budou delší.

plátkovací kotouč

Podle potřeby potraviny pokrácíte tak, aby se vešly do plnicího hrdla. Z jablek, paprik apod. odstraňte jádřinec. Hrdlo napěchujte kousky potravin ve svislé poloze. Kousky by měly být o něco kratší než plnicí hrdlo. Za chodu strojku tlačidlem na obsah rovnoměrně tlačte.

tipy

- Používejte čerstvé suroviny.

- Suroviny nekrájejte na příliš malé kousky. Plnicí hrdlo by mělo být dost plné, aby suroviny při zpracování neujížděly na stranu.
- Při krájení na plátky nebo strouhání se svisle umístěné kousky zpracují na kratší a vodorovně umístěné kousky na delší.
- Po každém použití kotoučů zůstane na kotouči nebo v nádobě trochu nezpracovaných surovin.
- Zbytky usazené na dolní straně kotoučů je třeba pravidelně odstraňovat.
- Na suroviny v plnicím hrdle tlačte rovnoměrně.

maxi kryt

Při mísení lze použít spolu se sekacím nožem také maxi kryt. Umožňuje zvětšit objemovou kapacitu pracovní nádoby a zvýšit efektivnost sekacího nože.

- 1 Kryt umístíte do nádoby nad sekací nůž, **ale netlačte na něj** – 6.
- 2 Nasadte víko, které zajistí, že kryt bude ve správné výšce – 7.

lis na citrusové ovoce (na přání)

Slouží k lisování šťáv z citrusových plodů, tedy např. pomerančů, citronů, limet a grapefruitů.

- 1 Do pracovní nádoby na strojek vložte sítko lisu a otočte doprava, až je špička sítko v rovině se značkou na tělese strojku – 8.
- 2 Nasadte kužel otáčivým pohybem na hnací hřídel, až zapadne na doraz – 9.
- 3 Ovoce rozpujte. Strojek spusťte a ovoce přitlačte ke kuželu.

mixér

Mixér používejte k přípravě jemných polévek, nápojů a majonézy.

použití mixéru

- 1 Sejměte kryt z výstupu 10.
- 2 Do džbánu vložte ingredience.
- 3 Na džbánek připevněte víko a víčko plniče.
- 4 Džbánek našroubujte na výstup.
- 5 Zapněte stroj.
- 6 Po použití mixéru vždy vyměňte kryt výstupu.

důležité

- **Příslušenství mixéru funguje pouze tehdy, pokud je mísa a víko ve správné poloze.**
- **Doporučujeme, aby při použití výstupu mixéru nebyly v míse stroje žádné nástroje.**

tipy

- Při výrobě majonézy dejte do mixéru všechny přísady kromě oleje. Olej přidávejte pozvolna za chodu tak, aby se se směsí spojil.
- Husté směsi, např. paštiky a pomazánky, je někdy nutné stírat se stěn nádoby. Takovou směs může být jednodušší zředit.
- Při drcení ledu přidejte na každých 6 ledových kostek 15 ml (1 pol. lžici) vody. Použijte pulsní spínač.
- Horké tekutiny nechte před nalitím do nádoby mixéru vychladnout - pokud víko není nasazeno pevně a uvolní se, mohl by vás mixér potřísnit.
- Chcete-li, aby vám mixér dlouho sloužil, nikdy ho nezapínejte na dobu delší než 60 vteřin. Vypněte ho hned, jak dosáhnete požadované konzistence.
- Nikdy nemixujte koření, materiály z plastu by se mohly poškodit.
- Jestliže je mixér špatně nasazený, robot se nespustí.
- Před zapnutím do nádoby nepřidávejte suché přísady. Podle potřeby je pokrácíte na kousky; vyjměte uzávěr plnicího hrdla a za chodu je po jednom přidávejte plnicím hrdlem.
- Nádobu mixéru vždy vyprázdněte. Před použitím i po použití by měla být čistá.
- Nikdy nemixujte více než 1 litru tekutiny - pokud se při mixování tvoří pěna (např. u mléčných koktejlů), tak ještě méně.

čištění

- Před čištěním strojek vždy vypněte a přívodní kabel vytáhněte ze zásuvky.
- Pohonná jednotka, přívodní kabel a nástrčka nesmějí přijít do styku s vodou.
- Se sekacími noži a kotouči zacházejte opatrně, jsou velmi ostré.
- Některé potraviny způsobují změnu barevného odstínu plastických hmot. To je zcela normální jev. Plastický materiál se tím nepoškodí a chuť jídel zůstane stejná. Tření hadříkem navlhčeným v rostlinném oleji pomáhá zbarvení odstranit.

pohonná jednotka

- Otřete vlhkým hadrem a osušte.
- Je-li přívodní kabel delší, než je nutné, zkratěte jej stočením do prostoru pro kabel na zadní straně spotřebiče.

mixér

- 1 Naplňte jej vodou, připevněte víko a víčko plniče a potom jej na 20-30 sekund zapněte.
 - 2 Vyprázdněte jej a omyjte. Pokud není zcela čistý, použijte kartáček.
 - 3 Otřete jej a potom jej nechejte na vzduchu uschnout.
- Mixér nenechávejte ve vodě odmočit. Také v něm nenechávejte vodu.

ostatní části

- Umyjte v rukou, pak řádně osušte.
- Veškeré příslušenství (s výjimkou mixéru) můžete umývat v horní části myčky nádobí.

servis a péče o zákazníka

- Poškozený přívodní kabel musí z bezpečnostních důvodů vyměnit opravna firmy Kenwood, nebo opravna firmou Kenwood pověřená.

Potřebujete-li poradit ve věcech

- používání spotřebiče nebo
- údržby, náhradních dílů nebo oprav
Obratě se na obchod, kde jste spotřebič zakoupili.

A használati utasítás olvasása közben hajtza ki az első oldalt, hogy az illusztrációk is láthatók legyenek.

biztonság

- A forgókések rendkívül élesek, ezért mindig óvatosan nyúljon hozzájuk. **A készülék összeszerelésekor és mosogatásakor is csak a felső részen levő fogónál, az élektől távol fogja meg a késeket.**
- A keverő edény tartalmának kitöltése előtt a forgókést mindig emelje ki.
- Ne turmixoljon forró folyadékokat, mert az esetleg rosszul felhelyezett fedél leeshet, és a kifröccsenő folyadék leforrázhatja.
- A robotgép
 - szét- és összeszerelése, illetve
 - tisztítása előtt, továbbá
 - használat után a készüléket mindig kapcsolja ki, és a hálózati vezetéket is húzza ki a konnektorból.
- A feldolgozandó ételt soha ne nyomja ujjal a töltőgaratba. Mindig használja a mellékelt tömőrudat.
- A keverő edény, illetve a turmixoló fedelének levétele előtt mindig
 - kapcsolja ki a készüléket, és
 - várja meg, amíg a forgókés/tartozék forgása teljesen leáll.
- Ne turmixoljon forró folyadékokat, mert az esetleg rosszul felhelyezett fedél leeshet, és a kifröccsenő folyadék leforrázhatja.
- **Ne erőltesse túl a robotgép meghajtó rendszerét, mert ettől károsodhat, és a hibás készülék sérülést is okozhat.**
- **A meghajtó rendszer károsodásának megelőzése érdekében:**
 - **A keverő edényt előbb mindig rögzítse a meghajtó egységhez, és csak utána tegye fel a fedelét.**
 - **Előbb mindig vegye le a keverő edény fedelét, és csak ezután szerelje le az edényt a meghajtó egységről.**
- A kisgyermeket mindig tartsa távol a robotgéptől. Fizikai támogatásra szorulóknak (idősek, betegek) is csak felügyelet mellett használják a készüléket.
- Soha ne használjon a gyártó által nem jóváhagyott tartozékokat.
- Ne engedje, hogy kisgyermek játsszanak a készülékkel.
- A bekapcsolt készüléket soha ne hagyja magára.
- Ha a robotgép megsérül, ne használja tovább. Az újbóli bekapcsolás előtt szakemberrel ellenőriztesse a készüléket - lásd Javítás.
- Ügyeljen arra, hogy a meghajtó egységet, a hálózati vezetéket és a dugaszt soha ne érje nedvesség.
- Ügyeljen arra, hogy a hálózati vezeték soha ne lógjon le az asztal széléről, és ne érjen forró felülethez.
- A készüléket csak rendeltetésszerűen, kizárólag háztartási célokra szabad használni.

a készülék bekapcsolása előtt

- Győződjék meg arról, hogy a hálózati feszültség megegyezik a készülék alján feltüntetett értékkel.
- Ez a készülék megfelel az Európai Gazdasági Közösség 89/336/EGK sz. irányelvének.

az első használat előtt

- 1 Az első bekapcsolás előtt távolítsa el az összes csomagolóanyagot, többek között a vágókés pengéjének műanyag védőborítót. Ezeket a borítókat el kell dobni, hiszen rájuk csak a gyártás és a szállítás közben van szükség.
- 2 Mossa át az egyes részegységeket: lásd A készülék tisztítása c. fejezetet.
- 3 A hálózati vezeték felesleges részét tekerje a gép hátlapján erre a célra rendszeresített fülekre.

alkatrészek

- ① biztonsági reteszelő kapcsoló
- ② tömőrud
- ③ adagolótölcsér
- ④ keverőedény fedele
- ⑤ keverőedény
- ⑥ meghajtó tengely
- ⑦ kapcsoló (ki/be/rövid üzem állással)

tartozékok

- ⑧ turmixoló
- ⑨ vágókés
- ⑩ vágólap
- ⑪ szeletelőlap
- ⑫ laptartó
- ⑬ távtartó
- ⑭ habverő
- ⑮ terelőlap
- ⑯ műanyag kanál

⑰ citrusfacsaró - megrendelhető, nem minden készüléknél alaptartozék.

a robotgép használata

- 1 Helyezze a keverőedényt a tengely fölé, és az edény fogóját a készülék hátlapja felé fordítva csúsztassa le az edényt a tengelyen, majd forgassa el az óramutató járásának irányában ütközésig amíg, a keverőedény biztosan nem rögzül a géptesthez ❶.
- 2 Válasszon ki egy tartozékat és rögzítse azt a készülék tengelyére.
 - Minden esetben előbb rögzítse a keverőedényt és a tartozékat és csak azután töltsé a keverőedénybe a hozzávalókat.
- 3 A keverőedény fedelét helyezze az edényre úgy, hogy a tölcsér a gép hátlapja felőli oldalon legyen ❷. Forgassa el a fedelet az óramutató járásának irányában mindaddig, amíg a keverőedény fedelén levő nyíl egy vonalba nem esik a géptesten található domborított vonallal ❸.
- **A keverőedény fedelének nem megfelelő illesztése esetén a készülék nem üzemel.**
- 4 Kapcsolja be a robotgépet: tolja a kapcsolót az "I" állásba, és hagyja addig járni a motort, amíg az étel a kívánt állagú nem lesz. Ha csak rövid ideig kívánja működtetni a robotgépet, vagy nagyon ügyelni kell a megfelelő állag elérésére (pl. húskok feldolgozásánál), a kapcsolót tolja a "P" jelű rövid üzem állásba: ilyenkor a motor csak addig jár, amíg a kapcsolót a rugó ellenében ebben az állásban tartja. Ha elengedi a kapcsolót, a motor azonnal leáll.
5. A keverőedény, a fedél és a tartozékok eltávolítása során fordított sorrendben kell eljárni.
 - A fedelet csak akkor lehet levenni, ha a kapcsoló a "0" állásban van.

fontos

A robotgép kávébab és egyéb kemény fűszerek, illetve kristálycukor darálására nem alkalmas.

Mandulaesszencia, illetve egyéb ízesítőanyagok hozzáadása esetén ügyelni kell arra, hogy ezek az anyagok ne érintkezzenek műanyag felületekkel, mivel az ilyen közvetlen érintkezés tartós elszíneződést idézhet elő.

a robotgéppel feldolgozható maximális mennyiségek

tojásfehérje	6 tojásból
hús (darabolás)	300 g
linzertészta	250 g
kelt tészta	340 g
tortalap tészta, a teljes mennyiség	800 g
leves, terelőlappal	800 ml
turmixoló	1 liter

tartozékok használata

vágókés

Az összes tartozék közül a kés használható a legtöbb feladathoz. A feldolgozott anyag állaga a feldolgozási idő hosszától függ. A durvább szerkezetű anyagok feldolgozásához használja a start/stop üzemmódot, amely lehetővé teszi az állag rendszeres ellenőrzését.

mire alkalmas a kés?

nyers hús

Távolítsuk el a felesleges zsírt és daraboljuk fel a húst 2 cm nagyságú kockákra, majd helyezzük el a feldarabolt húst a keverőedénybe. Kapcsoljuk be a készüléket kb. 10 másodpercre vagy annyi időre, amennyi elegendő az általunk kívánt állagú anyag előállításához. Minél hosszabb a feldolgozás, annál egyenletesebb lesz a kapott anyag.

főtt hús

Kövesse a nyers hús feldolgozásánál ismertetett módszert, de rövidebb feldolgozási idővel.

zöldségek

Vágja fel a zöldséget kb. 2,5 cm-es darabkákra. Dolgozza fel együtt a durvább anyagszerkezet jellemezte élelmiszereket, pl. a keményebb zöldségeket – a sárgarépat, a burgonyát, illetve a puhább, lágyabb zöldségeket – a gombát, a paradicsomot vagy a főtt zöldséget.

piskóta- és zsemlemorzsa

Kapcsolja be a készüléket és helyezze be a piskóta- és zsemledarabokat a tölcsérbe.

linzertészta

Helyezze el a lisztet a keverőedénybe. A közvetlenül a hűtőből kivett margarint vágja fel 2 cm-es darabokra és ugyancsak helyezze be a keverőedénybe. Kapcsolja be a készüléket és keverje finomra az anyagot, de ügyeljen arra, hogy ne "keverje túl". Működő készülék mellett a tölcséren keresztül folyamatosan adja hozzá a folyadékot. Folytassa a feldolgozást mindaddig, amíg ki nem alakul egy vagy két adag kész tészta. Felhasználás előtt hűtse le.

levesek

Főzés előtt vagy után szűrje le a levest. Válassza külön a hozzávalókat és helyezze el a keverőedénybe, öntsön hozzá egy keveset a recept szerint elkészített levesből. Kapcsolja be a készüléket, majd a kívánt állapot elérését követően adja hozzá a folyadék többi részéhez.

diófélék

Darálja meg a torták és sütemények elkészítéséhez szükséges diót; helyezze el a diót a keverőedénybe, kapcsolja be a készüléket és a folytassa a feldolgozást a kívánt állapot eléréséig.

piskótakészítés

A piskóta jellegű tészták elkészítésének legjobb módszere az "minden együtt" módszer. Minden hozzávalót helyezünk a keverőedénybe és keverjük mindaddig, amíg egyenletes, homogén masszát nem kapunk; a keverési idő kb. 10 mp. Minden esetben a közvetlen a hűtőből elővett, 2 cm-es darabokra vágott kenhető margarint használjunk.

pikáns mártások/pástétomok

A szilárd halmazállapotú hozzávalókat vágja fel 2,5 cm nagyságú kockákra és helyezze a keverőtartályba. Dolgozza fel a hozzávalók teljes felaprításáig. Adjon hozzá tejszínt, stb., és keverje készre.

híg tészták

Helyezze megfelelő helyzetbe a kést, majd helyezze a keverőedénybe a száraz hozzávalókat, a tojást és egy kevés folyadékot és egyenletes, homogén masszát keverjen ki. A készülék működése közben a tölcséren keresztül adja hozzá a folyadék fennmaradó részét.

kelt tészta

Helyezze a lisztet, a margarint és az egyéb száraz hozzávalókat a keverőedénybe és keverje néhány másodpercig. Közben a tölcséren keresztül adja hozzá a folyékony keveréket és folytassa a keverést mindaddig, amíg létre nem jön egy tésztaszerű, egyenletesnek látszó, érintésre rugalmas anyag – ehhez 45-60 másodperces keverés szükséges. Várja meg, amíg a tészta megkel, majd 10 másodpercen keresztül gyúrja át az elkészült tésztát.

habverő

Csak tojásfehérje és krém felveréséhez használja. A habverő egyebek elkészítésére nem alkalmas. Tojásfehérje felverése előtt győződjék meg arról, hogy a keverőedény és a habverő tiszta és zsírmentes, valamint hogy se a keverőedényben, se a habverőn nincs tojássárgája-maradvány.

szeletelő és reszelő lapok

mire alkalmasak a különböző vágó lapok?

szeletelő lap – alkalmas répa, burgonya, káposzta, uborka, cékla, kukkíni, alma és hagyma szeletelésére

reszelő lap – alkalmas sajt, répa, burgonya és hasonló jellegű élelmiszerek feldolgozására.

a laptartó összeszerelése

- 1 Rögzítse a távtartót a laptartó végére **4**.
- 2 Válassza ki a megfelelő lapot és rögzítse azt a laptartón úgy, hogy a lap használni kívánt oldala felfelé nézzen.
- Helyezze a lap egyik végét a szegély alá, majd a lap másik végét ütközésig nyomja be a laptartón kiképzett nyílásba **5**.

fontos

Szeletelő- és reszelőlapok használata esetén a távtartót a laptartó végén erre a célra kiképzett nyílásban kell rögzíteni.

vágólapok használata

reszelő lap

Vágja el az élelmiszereket apró darabokra úgy, hogy azok elférjenek a tölcsérben. Töltse meg a tölcsért majdnem a tetejéig, majd a tömőrúddal egyenletesen nyomja az élelmiszereket a reszelőlapra. Ha hosszabb szeletekre akarjuk reszelni az élelmiszert, vízszintesen helyezzük el a zöldség-, pl. a sárgarépa-szeleteket a tölcsérben.

szeletelőlap

Szükség esetén vágja fel a feldolgozandó élelmiszereket úgy, hogy azok férjenek el a tölcsérben. Az almát és a zöldpaprikát magozza ki. Függőleges helyzetben helyezze el a zöldségcsomót az adagoló tölcsérben. Az élelmiszerek legyenek kicsivel rövidebbek a tölcsérnél. Kapcsolja be a készüléket és a tömőrúddal egyenletesen nyomja az élelmiszert a szeletelőlap vágófelületére.

néhány jó tanács

- Friss hozzávalókat használjon.
- Ne vágja túl apróra a hozzávalókat. Töltse tele a tölcsért, így megakadályozhatja, hogy a feldolgozás során az élelmiszerdarabkák oldalt kicsúszszanak a tölcsérből.
- Szeletelés vagy reszelés esetén: a robotgép a függőlegesen elhelyezett élelmiszereket rövidebb szeletekre, a vízszintesen elhelyezett darabokat hosszabb szeletekre vágja.
- Egy vágólap felhasználása után esetén a lapon vagy a felszeletelt, illetve lereszelt ételben mindig maradt néhány feldolgozatlan darab.
- Ne engedje, hogy a lap alsó felületén összegyűljön a feldolgozott élelmiszer – rendszeresen távolítsa el a maradékot.
- Egyenletes nyomással tolja le a tölcséren a feldolgozandó élelmiszereket.

terelőlap

A vágókésre illesztett terelőlap segítségével a robotgép alkalmassá tehető nagyobb mennyiségű folyadék egyenletes kikeverésére; a terelőlap fokozza a kés aprító teljesítményét.

- 1 Helyezze a terelőlapot a keverőedénybe a kés fölé – **ne tolja le 6**.
- 2 Helyezze a keverőedényre az edény fedelét – a fedél biztosítja, hogy a megfelelő magasságon helyezzük el a terelőlapot **7**.

citrusfacsaró (megrendelhető tartozék)

A citrusfacsaró narancs, citrom, lime és grapefruit levének kicsavarására alkalmas.

- 1 Helyezze el a keverőedényt a géptesten. Helyezze rá a citromfacsaró szűrőjét, fordítsa el a szűrőt az óramutató irányában úgy, hogy a szűrőn levő fül kerüljön egy vonalba a géptesten található jellel **8**.
- 2 Helyezze a facsarót a tengelyre, majd óvatosan forgatva tolja ütközésig a tengelyre **9**.
- 3 Vágja félbe a gyümölcsöt. Kapcsolja be a robotgépet és nyomja a gyümölcsöt a kúpra.

turmixoló

a turmixoló híg levesek, italok és majonéz kikeverésére alkalmas

a turmixoló használata

- 1 Vegye le a meghajtó csomagtető fedelét **10**.
- 2 A feldolgozandó ételt tegye a turmixoló edénybe.
- 3 Csavarja az edényre a fedelét, és illesse bele az adagoló nyílás kupakját.
- 4 A turmixoló edényt csavarja rá a meghajtó csomagra.
- 5 Kapcsolja be a készüléket.
- 6 A turmixoló használata után a meghajtó csomagtető fedelét mindig tegye vissza a meghajtó egységre.

fontos megjegyzés

- **A turmixoló csak akkor működik, ha előzőleg a feldolgozó edényt és az edény fedelét is felszereli a meghajtó egységre.**
- **Javasoljuk, hogy a turmixoló használata közben sem forgókést, sem más eszközt ne helyezzen a feldolgozó edénybe.**

ötletek

- Majonéz készítésekor az olaj kivételével tegyen bele minden hozzávalót a lékészítőbe, majd az olajat töltsse be a bekapcsolt készülék fedőjének záródugójába, és hagyja lecsorogni.
- Elképzelhető, hogy a sűrű keverékeket (pl. pástétomok) le kell kaparni. Szükség esetén adjon még hozzá folyadékot.
- Jég aprításakor adagoljon be vizet (minden 6 jégkockára 15 ml). Használja az impulzuskapcsolót.
- A lékészítőbe való betöltésük előtt hagyja a forró folyadékokat lehűlni; könnyen összefröcskölheti magát, ha nem szorítja jól rá a fedőt és az lejön.
- A lékészítő hosszú élettartamát úgy biztosíthatja, hogy soha nem járattja egyszerre 60 másodpercnél hosszabb ideig, és hogy a kívánt állag elérésekor azonnal kikapcsolja.
- Ne tegyen fűszereket a készülékbe, mert ezek károsíthatják a műanyagot.
- Ha a lékészítő nincs jól a helyén, akkor a készülék nem működik.
- Bekapcsolás előtt ne tegyen száraz hozzávalókat a lékészítőbe. Szükség esetén vágja azokat darabokra, vegye ki a záródugót, majd - a készülék járatása közben - egyenként dobálja be azokat.
- Tilos a lékészítőt tárolási célokra használni: a lékészítőnek használat előtt és után üresnek kell lennie.
- Soha ne mixeljen 1 liternél nagyobb mennyiségű habos folyadékot (pl. turmix).

a robotgép tisztítása

- Tisztítás előtt minden esetben kapcsolja ki a gépet, a hálózati dugaszt húzza ki a konnektorból.
- A hajtóművet, a hálózati vezetéket és hálózati dugaszt óvja a nedvességtől.
- A kések és a vágólapok rendkívül élesek, ezért ezekkel kellő körültekintéssel kell bánni.
- Bizonyos élelmiszerek a műanyag tartós elszíneződését idézhetik elő. Ez teljesen elfogadható. A folyamat nem rongálja a műanyagot, illetve nem befolyásolja az élelmiszerek ízét. Töröljük le a műanyag felületeket egy növényi olajba mártott ruhával; ez enyhíti az elszínező hatást.

hajtómű

- Törölje le nedves, majd száraz ruhával.
- A hálózati csatlakozó vezeték felesleges részét tekerje a készülék hátlapján erre a célra rendszeresített fülekre.

turmixoló

- 1 Töltsön meleg vizet a turmixoló edénybe, tegye fel a fedelét és a töltőnyílás kupakját, majd 20-30 másodpercre kapcsolja be a készüléket.
 - 2 Öntse ki a vizet, majd öblítse el az edényt. Ha még mindig nem elég tiszta, használjon mosogatókefét.
 - 3 Törölje át, majd a levegőn hagyja megszáradni.
- A turmixolót soha ne áztassa hosszú ideig vízbe, és magában az edényben se hagyjon vizet.

egyéb alkatrészek

- Kézzel mosogassa el, majd törölje szárazra.
- A turmixoló kivételével a tartozékok mosogatógépben is tisztíthatók (a felső polcon).

karbantartás és ügyfélszolgálat

- Amennyiben a hálózati vezeték megsérül, biztonsági okokból forduljon a Kenwoodhoz vagy a Kenwood hivatalos márkaszervizéhez és kérje a sérült vezeték kicserélését.

Amennyiben segítségére van szüksége:

- a készülék üzemeltetéséhez vagy
- a készülék karbantartásához, pótalkatrészek beszerzéséhez vagy bizonyos javítások elvégzéséhez, forduljon ahhoz az üzlethez, ahol megvásárolta készülékét.

Przed przystąpieniem do czytania instrukcji prosimy rozłożyć pierwszą stronę z ilustracjami

bezpieczeństwo

- Noże i wkładki tnące są bardzo ostre, należy nimi manipulować z dużą ostrożnością. **Przy myciu i manipulowaniu ostrzami trzymaj je zawsze za uchwyty, a nie za części tnące.**
- Przed opróżnieniem misy roboczej zawsze wyjmij z niej nóż.
- Gdy urządzenie jest włączone do prądu L nie wkładaj rąk ani żadnych przedmiotów do misy roboczej ani do pojemnika do miksowania.
- Zawsze wyłączaj urządzenie i wyjmuj wtyczkę z gniazdka:
 - gdy zakładasz lub wymieniasz przystawkę
 - po użyciu robota
 - przed przystąpieniem do mycia
- Nigdy nie wciskaj palcami produktów żywnościowych do otworu wlotowego. Używaj do tego wyłącznie dostarczonego popychacza.
- Zanim zdejmiesz pokrywę z misy roboczej lub pojemnika do miksowania:
 - wyłącz urządzenie;
 - poczekaj, aż ostrza się zatrzymają;
- Gorące płyny przed miksowaniem pozostaw do wystygnięcia L jeżeli nie przykryjesz dokładnie pojemnika do miksowania, możesz zostać opryskany miksowanym płynem.
- **Urządzenie może ulec uszkodzeniu i spowodować obrażenia jeżeli na mechanizm blokujący będzie działała zbyt duża siła.**
- **Aby zapobiec uszkodzeniu mechanizmu blokującego:**
 - **Pamiętaj, aby zawsze mocować misę roboczą do bloku silnika przed zakładaniem pokrywy.**
 - **Pamiętaj, aby zawsze zdejmować pokrywę przed zdemontowaniem misy roboczej z bloku silnika.**
- Dzieci mogą obsługiwać urządzenie tylko pod nadzorem dorosłych.
- Używaj wyłącznie oryginalne przystawki.
- Nie pozwól dzieciom bawić się robotem.
- Nie pozostawiaj urządzenia bez nadzoru.
- Nie używaj uszkodzonego robota. Przekaż go do kontroli lub donaprawy: zob. "Serwis"
- Nie pozwól, aby blok silnika, przewód zasilający lub wtyczka zostały zamoczone.
- Uważaj, aby przewód zasilający nie zwisał z blatu lub stołu ani nie dotykał gorących powierzchni.
- Używaj robota tylko do prac, do których jest przeznaczony. Używaj go tylko w gospodarstwie domowym.

zanim podłączysz malakser

- Upewnij się, że napięcie sieci jest takie samo jak pokazane na spodzie malaksera.

przed użyciem malaksera po raz pierwszy

- 1 Usuń opakowanie urządzenia wraz z plastikowymi ochroniaczami noży. Zabezpieczenia te należy wyrzucić, gdyż służą one tylko do ochrony ostrzy podczas produkcji i transportu.
- 2 Umyj części oznaczone "cleaning" (do czyszczenia).
- 3 Nadmiar sznura owiń na zaczepach z tyłu malaksera.

części malaksera

- ① blokada bezpieczeństwa
- ② popychacz
- ③ podajnik
- ④ pokrywka
- ⑤ miska
- ⑥ napęd malaksera
- ⑦ przełącznik wł. / wyt. / praca pulsacyjna

narzędzia

- ⑧ pojemnik do miksowania
- ⑨ nóż
- ⑩ tarcza do siekania
- ⑪ tarcza do krojenia
- ⑫ uchwyt na tarcze
- ⑬ odstępnik
- ⑭ trzepaczka
- ⑮ osłona maxi blend
- ⑯ szpatułka
- ⑰ wyciskacz do owoców jest opcjonalny i może go nie być w Twoim zestawie

jak używać malaksera

- 1 Załóż miskę na podstawie malaksera – uchwycem do tyłu – opuść ją i obróć w prawo, aż się dobrze zarygluje (nr ①).
- 2 Załóż narzędzie na napęd malaksera
 - **Zawsze wkładaj składniki po zainstalowaniu miski i narzędzia.**
- 3 Załóż pokrywę na miskę, podajnikiem do tyłu (nr ②). Przekręć w prawo, aż strzałka na pokrywce znajdzie się na równi z kreską na korpusie malaksera (nr ③).
- Malakser nie zadziała, jeśli pokrywka nie będzie prawidłowo założona.
- 4 Włącz urządzenie ustawiając przełącznik "wł. / wyt. / praca impulsowa" w położenie "I" i pozostaw je włączone, aż obrabiana żywność osiągnie pożądaną konsystencję. Możesz również przełączyć urządzenie w tryb pracy pulsacyjnej - przełącznik w położeniu "P". Pozwoli to na włączenie robota na krótki okres czasu. Silnik uruchamiany jest, gdy przełączysz robota w tryb pulsacyjny i pracuje dopóty, dopóki przełącznik pozostaje w tym położeniu. Pozwala to na dokładne kontrolowanie efektów pracy, np. podczas siekania mięsa
- 5 W celu zdjęcia miski, pokrywki i narzędzia należy postępować w odwrotnej kolejności.
- Pokrywę można zdjąć z misy roboczej tylko wówczas, gdy przełącznik "wł. / wyt. / praca pulsacyjna" ustawiony jest w położenie "0".

ważne

Robot nie jest przeznaczony do mielenia kawy, przypraw ani do mielenia cukru kryształu na cukier puder. Dodając esencję migdałową lub inne aromaty należy unikać ich kontaktu z plastikiem, gdyż mogą one spowodować jego trwałe zabarwienie.

maksymalne pojemności:

białka jajek	6
posiekane mięso	300g
ilość mąki na ciasto kruche	250g
ilość mąki na ciasto drożdżowe	340g
jedno ciasto biszkoptowe waga całkowita	800g
zupa (miska z osłoną)	800ml
Pojemnik do miksowania	1 litr

Jak używać narzędzi

nóż

Nóż jest narzędziem najbardziej wszechstronnym ze wszystkich. Uzyskana konsystencja zależy od długości czasu przetwarzania. Jeśli chcesz otrzymać grubszą konsystencję, używaj przycisku pracy impulsowej, aby regularnie sprawdzać konsystencję.

możliwości noża:

surowe mięso

Aby przygotować mięso mielone, usuń zbędny tłuszcz i pokrój mięso w 2-cm kostki, a następnie włóż do miski i uruchom malakser na ok. 10 sekund lub na tak długo, aż osiągnie pożądaną konsystencję. Im dłużej, tym delikatniejsza konsystencja.

gotowane mięso

Postępuj zgodnie ze wskazówkami odnośnie surowego mięsa, ale miksuj krócej.

warzywa

Pokrój warzywa na 2,5-cm kawałki. Przetwarzaj razem warzywa o podobnej twardości, np. marchewki z ziemniakami, a grzyby z pomidorami lub gotowanymi warzywami.

herbatniki i tarta bułka

Wrzucaj kawałki do podajnika, gdy malakser jest włączony.

ciasto kruche i scones (słodkie bułeczki)

Wsymp mąkę do miski, tłuszcz wyjmij z lodówki i pokrój na 2-cm kostki. Przetwarzaj nie zbyt długo, aż konsystencja będzie przypominać tartą bułkę. Gdy malakser pracuje, wlej płyn przez podajnik. Przetwarzaj, aż uformuje się jedna lub dwie części ciasta. Przed użyciem należy je schłodzić.

zupy

Purée z zupy możesz zrobić przed lub po ugotowaniu. Odcedź składniki i umieść je w misce z małą ilością wody (jak w przepisie). Przetwarzaj, aż osiągniesz pożądaną konsystencję, a następnie dodaj do pozostałej zupy.

orzechy

Możesz posiekać orzechy, wkładając je do miski i miksując do uzyskania pożądanej konsystencji.

przygotowywanie ciasta

Ciasta biszkoptowe najlepiej przygotowywać przy pomocy metody "wszystko w jednym". Wszystkie składniki umieszczone w misce miksujemy przez ok. 10 sekund do otrzymania gładkiej konsystencji. Zawsze należy używać margaryny prosto z lodówki, pokrojonej w 2-cm kostki.

przekąski /pasty

Umieść w misce składniki stałe pokrojone na 2,5-cm kostki. Przetwarzaj je, aż będą dobrze posiekane. Dodaj śmietaną, inne składniki i kontynuuj przetwarzanie, aż wszystkie komponenty będą dobrze wymieszane.

ciasto ubijane

Umieść w misce suche składniki, jajko i odrobinę wody. Mieszaj do uzyskania gładkiej konsystencji. Gdy malakser pracuje, dodaj resztę płynu przez podajnik.

ciasto drożdżowe

Umieść w misce mąkę, tłuszcz i inne suche składniki, mieszaj przez kilka sekund. Gdy urządzenie pracuje, dodawaj przez podajnik płyn i mieszaj, aż do osiągnięcia gładkiej i elastycznej konsystencji – ok. 45-60 sekund. Pozostaw ciasto, aby wyrosło i powtórnie mieszaj przez 10 sekund.

trzepaczka

Używaj jej tylko do ubijania jajek i kremów. Nie nadaje się do innych celów. Gdy chcesz ubijać białka, upewnij się czy nie ma w misce zabrudzeń lub kawałków żółtka.

tarcze krojące i siekające

co mogą tarcze tnące

tarcza krojąca – kroi marchewkę, ziemniaki, kapustę, ogórki, cukinię, buraki, cebulę.

tarcza siekająca – sieka ser, marchewkę, ziemniaki i żywność o podobnej konsystencji.

Jak założyć uchwyt na tarcze

- 1 Załóż odstępnik na końcówkę uchwytu na tarcze (nr 4).
- 2 Wybierz odpowiednią tarczę i załóż ją na uchwyt tnącą stroną do góry.
- Umieść jeden koniec tarczy pod brzegiem i naciśnij jej drugi koniec (tarcza wchodzi tylko w jeden sposób – nr 5).

ważne

Podczas używania tarcz krojących i siekających odstępnik musi być umieszczony na końcu uchwytu.

jak używać tarcz tnących

tarcza siekająca

Pokrój żywność na kawałki tak, aby zmieściły się w podajniku. Napełnij podajnik i użyj popychacza z odpowiednią siłą, gdy malakser pracuje. Dłuższe kawałki można włożyć do podajnika pionowo (np. marchewka).

tarcza krojąca

Jeśli to konieczne, pokrój żywność tak, aby zmieściła się do podajnika. Jabłka i paprykę należy wydrążyć. Pokrojoną żywność włóż do podajnika pionowo. Ich długość powinna być trochę mniejsza niż długość podajnika. Gdy malakser pracuje, popchnij je.

wskazówki

- Używaj tylko świeżych składników.
- Nie kraj żywności na zbyt małe kawałki. Nie przepelniaj podajnika, aby składniki się nie wysypywały.
- Gdy kroisz lub siekasz: kawałki umieszczone pionowo wychodzą krótsze niż te umieszczone poziomo.
- Po użyciu tarczy tnącej zawsze pozostaną jakieś resztki na tarczy.
- Nie pozwól, aby żywność gromadziła się pod tarczą; należy ją opróżniać regularnie.
- Żywności znajdującej się w podajniku nie popychaj zbyt mocno.

osłona maxi blend

Podczas mieszania używaj osłony maxi blend w połączeniu z nożem. Pozwala to na zwiększenie ilości płynu i polepszenie wydajności noża.

- 1 Umieść osłonę w misce nad nożem – **nie popychaj w dół** (nr 6).
- 2 Załóż pokrywkę – upewnij się, że osłona znajduje się na odpowiedniej wysokości (nr 7).

wyciskacz do owoców cytrusowych (opcjonalnie)

Można go używać do wyciskania takich owoców cytrusowych jak: pomarańcze, cytryny, limonki i grejfruty.

- 1 Umieść miskę w malakserze. Załóż sitko i obróć je w prawo, aż występ na nim znajdzie się na równi ze znakiem na korpusie malaksera (nr 8).
- 2 Zamocuj stożek wyciskający na wałek napędowy i puść, aby opadł na sam spód (nr 9).
- 3 Przekrój owoce na połowę. Włącz malakser i przyciśnij owoc do stożka.

Pojemnik do miksowania

Używaj pojemnika do miksowania do przygotowywania zup-kremów, napojów i majonezów.

W celu użycia pojemnika do miksowania

- 1 Zdejmij osłonkę z bloku silnika 10.
- 2 Włóż składniki do pojemnika.
- 3 Zakręć pokrywkę na pojemnik i załóż nasadkę.
- 4 Nakręć pojemnik na blok silnika.
- 5 Włącz urządzenie.
- 6 Po użyciu pojemnika do miksowania pamiętaj zawsze o założeniu osłonki na blok silnika.

Uwaga

- Pojemnik do miksowania będzie pracował tylko wtedy, gdy na bloku silnika zamocowana jest misa robocza z pokrywką.
- Podczas użytkowania pojemnika do miksowania zaleca się, aby w misie roboczej nie pozostawały żadne elementy tnące.

wskazówki

- Podczas przygotowywania majonezu włożyć do miksera wszystkie składniki oprócz oleju. Przy pracującym urządzeniu wlać olej do zatyczki do napełniania, aby swobodnie ściekał.
- Bardziej gęste mieszanki, np. pasztety i sosy, mogą wymagać wyskrobania. Jeśli nie można tego zrobić, dodać więcej płynu.
- Podczas kruszenia lodu dodać 15 ml (1 łyżeczka) wody na 6 kostek lodu. Używać przycisku pracy impulsowej.
- Przed mieszaniem gorących płynów w mikserze należy je ostudzić – w przypadku źle założonej pokrywy może dojść do ochłapania.
- Aby mikser mógł służyć jak najdłużej, nigdy nie należy włączać go na dłużej niż 60 sekund. Wyłączyć go natychmiast po uzyskaniu odpowiedniej konsystencji.
- Nie przetwarzać przypraw – mogą zniszczyć plastik.
- Urządzenie nie będzie działać, jeśli mikser jest źle założony.
- Przed włączeniem miksera nie wkładać suchych składników. Jeśli to konieczne, należy pociąć je na drobne kawałki, zdjąć zatyczkę do napełniania i przy włączonym urządzeniu wrzucać je kolejno.
- Nie używać miksera do przechowywania produktów. Przechowywać go pustego.
- Nigdy nie przetwarzać więcej niż 1 l – mniej w przypadku płynów, na których tworzy się piana, np. napojów z mleka.

czyszczenie

- Zawsze przed czyszczeniem wyłącz malakser i wyjmij wtyczkę z gniazdka.
- Nie dopuść, aby korpus z silnikiem, sznur lub wtyczka zamokły.
- Z tarczami tnącymi obchodź się ostrożnie – są bardzo ostre.
- Niektóre rodzaje żywności mogą barwić plastik. To całkowicie normalne. Nie wpływa to niekorzystnie na plastik ani na smak żywności. Przecieranie szmatką zamoczoną w oleju roślinnym pomaga w usuwaniu plam.

korpus z silnikiem

- Wytrzyj wilgotną szmatką, a później suchą
- Owiń nadmiar sznura z tyłu urządzenia na zaczepach

Pojemnik do miksowania

- 1 Napełnij pojemnik ciepłą wodą, załóż pokrywkę i nasadkę, a następnie włącz urządzenie na 20 - 30 sekund.
- 2 Opróżnij pojemnik, następnie oplucz. Jeśli nadal jest brudny - umyj go szczoteczką.
- 3 Wytrzyj pojemnik i pozostaw go do wyschnięcia.
- Nie zostawiaj pojemnika w wodzie do namoczenia. Nie zostawiaj wody wewnątrz pojemnika.

Inne części

- Umyj ręcznie i dokładnie wysusz
- Wszystkie elementy wyposażenia (z wyjątkiem pojemnika do miksowania) mogą być myte w górnym koszu zmywarki automatycznej.

serwis i obsługa klienta

- Jeśli sznur uległ uszkodzeniu, musi być ze względów bezpieczeństwa wymieniony przez firmę Kenwood lub jej autoryzowany punkt naprawczy.

Jeśli potrzebujesz pomocy odnośnie:

- użytkowania Twojego malaksera lub
- serwisu, części zamiennych lub napraw (na gwarancji lub bez) skontaktuj się ze sklepem, w którym kupiłeś urządzenie.

Перед тем, как прочитать эту брошюру, разверните титульный лист с иллюстрациями

МЕРЫ ПРЕДОСТОРОЖНОСТИ

- Режущие части являются очень острыми, будьте осторожны. **При установке и чистке нож всегда следует брать за расположенный сверху захват для пальцев, а не за режущую кромку.**
- Перед удалением содержимого из чаши обязательно снимите нож.
- Не погружайте руки и кухонные принадлежности в чашу кухонного комбайна и в емкость измельчителя, когда кухонный комбайн подключен к электросети.
- Выключите кухонный комбайн и отсоедините сетевой шнур от розетки электросети;
 - перед установкой или снятием деталей
 - после использования
 - перед чисткой
- Никогда не проталкивайте продукты в подающую трубку пальцами. Используйте для этого поставляемый в комплекте толкатель.
- Перед тем как снять крышку с чаши или снять измельчитель с блока электродвигателя:-
 - выключите электроприбор;
 - подождите, пока полностью не остановятся насадки/ножи;
- Перед смешиванием жидкостей в измельчителе их следует охладить – в случае неплотно установленной крышки, она может открыться, что приведет к распыливанию жидкости.
- **Не прикладывайте чрезмерных усилий к фиксирующему механизму. Это может привести к его повреждению и к травме.**
- **Чтобы не повредить фиксирующий механизм:**
 - До установки крышки обязательно закрепите чашу на блоке электродвигателя.
 - Снимать чашу с блока электродвигателя разрешается только после освобождения механизма фиксации крышки.
- Этот электроприбор не предназначен для самостоятельного использования детьми или немощными людьми.
- Запрещается использовать насадки, не предназначенные специально для данного электроприбора.
- Не разрешайте детям играть с этим электроприбором.
- Не оставляйте электроприбор без присмотра.
- Запрещается пользоваться неисправным электроприбором. Проверьте или отремонтируйте его: см. 'техническое обслуживание'.
- Запрещается погружать в воду блок электродвигателя, сетевой шнур или вилку.
- Не допускайте свешивания шнура с края стола или рабочей поверхности, а также прикосновения шнура к горячим поверхностям.
- Запрещается использовать кухонный комбайн не по его назначению. Этот электроприбор предназначен только для бытового применения.

Перед включением комбайна в сеть

- Удостоверьтесь, что источник питания соответствует указанному на паспортной табличке машины.
- Данный бытовой прибор изготовлен в соответствии с директивой 89/336/ЕЕС Европейского экономического сообщества.

ПЕРЕД ПЕРВЫМ ВКЛЮЧЕНИЕМ

- 1 Удалите весь упаковочный материал, включая пластмассовые чехлы на лезвиях ножа-крыльчатка. Эти чехлы служат для защиты лезвий только на время изготовления и транспортировки комбайна.
- 2 Вымойте принадлежности и насадки (см. раздел "Чистка прибора").
- 3 Намотайте избыток шнура на специальное приспособление, расположенное на задней стенке машины.

РАБОЧИЕ УЗЛЫ

- ① Механизм блокировки
- ② Заглушка-толкатель
- ③ Загрузочная трубка
- ④ Крышка
- ⑤ Чаша
- ⑥ Привод комбайна
- ⑦ рычаг "вкл./выкл./кратковременно"

НАСАДКИ

- ⑧ измельчитель
- ⑨ Нож-крыльчатка
- ⑩ Шинковка
- ⑪ Овощерезка
- ⑫ Держатель для съемных пластин терки и овощерезки
- ⑬ Прокладка
- ⑭ Венчик-мешалка
- ⑮ Брызгозащитная крышка
- ⑯ Лопатка
- ⑰ Соковыжималка для цитрусовых (в стандартную комплектацию не входит)

ПОЛЬЗОВАНИЕ КУХОННЫМ КОМБАЙНОМ

- 1 Установите чашу на рабочее основание комбайна, так чтобы ручка была направлена к задней его части. Поворачивайте чашу по часовой стрелке до прочной фиксации на месте ❶.
- 2 Наденьте насадку на приводной вал кухонного комбайна.
 - Всегда устанавливайте чашу и насадку на машину, прежде чем добавлять ингредиенты.
- 3 Накройте чашу крышкой таким образом, чтобы загрузочная трубка находилась с задней стороны машины ❷. Поворачивайте крышку по часовой стрелке до тех пор, пока стрелка на ней не совместится с выступом на корпусе комбайна ❸.
- **Неправильно надета крышка воспрепятствует запуску кухонного комбайна в работу.**
- 4 Включите электроприбор с помощью перевода рычага "вкл./выкл./кратковременно" в положение 'I' и выполняйте обработку продуктов до получения нужной консистенции, или переведите рычаг в положение кратковременной работы 'P'; чтобы управлять работой установленной в чаше насадки в режиме пуск/стоп. Электродвигатель будет работать, пока рычаг удерживается в этом положении. Это позволит вам проконтролировать консистенцию различных продуктов, например, при обработке мяса.
- 5 Для разборки комбайна (снятия крышки, чаши и насадок) выполните описанные процедуры в обратном порядке.
 - Крышка может сниматься только тогда, когда рычаг "вкл./выкл./кратковременно" находится в положении '0'.

Важное примечание

Ваш кухонный комбайн не может использоваться для размалывания зерен кофе, специй и для превращения сахарного песка в сахарную пудру.

При добавлении в продуктовые смеси миндальной эссенции или других вкусовых веществ избегайте их контакта с пластмассой, поскольку на ней могут остаться несмываемые пятна.

Максимальные нормы закладки

Яичные белки	6
Рубленое мясо	300 г
Песочное тесто (вес муки)	250 г
Дрожжевое тесто (вес муки)	340 г
Бисквитное тесто (общий вес)	800 г
Суп с канapé	800 мл
измельчитель	1 литр

ПОЛЬЗОВАНИЕ НАСАДКАМИ

Нож-крыльчатка

Из всех насадок нож-крыльчатка является наиболее универсальным инструментом. Консистенция приготовляемого продукта зависит от времени обработки. При необходимости получения более грубой консистенции пользуйтесь кнопкой пульсирующего режима, позволяющей вам регулярно контролировать консистенцию.

Что можно приготовить с помощью ножа-крыльчатки:

Сырое мясо

Для приготовления фарша обрежьте с мяса избыточный жир и нарежьте его двухсантиметровыми кубиками. Положите мясо в чашу и включите комбайн примерно на 10 сек. или до получения необходимой консистенции. Чем дольше работает машина, тем нежнее будет консистенция фарша.

Вареное мясо

Фарш готовится тем же методом, что сырое мясо, но при меньшей продолжительности обработки.

Овощи

Нарежьте овощи на кусочки размером примерно 2,5 см. Продукт после обработки будет иметь равномерную консистенцию, независимо от того, обрабатывались ли такие более твердые овощи, как морковь и картофель, или более мягкие, как грибы, помидоры или вареные овощи.

Крекеры и панировочные сухари

Опускайте частицы этих продуктов в загрузочную трубку работающего комбайна.

Песочное печенье и сдобный хлеб

Насыпьте муку в чашу. Жир, взятый непосредственно из холодильника, нарежьте двухсантиметровыми кубиками. Ведите обработку до тех пор, пока продукт не начнет походить на мелкую хлебную крошку, но не дольше этого. Не останавливая машины, добавьте жидкость через загрузочную трубку. Продолжайте обработку до тех пор, пока не образуется один или два комка теста. Прежде чем начать печь, тесто следует охладить.

Супы

Суп доводится до консистенции пюре. Это делается до либо после варки. Слейте воду, поместите ингредиенты в чашу и добавьте немного жидкости, указанной в рецепте блюда. Производите обработку до получения необходимой консистенции, после чего добавьте остальную жидкость.

Орехи

Орехи для тортов и печенья крошатся в чаше комбайна. Обработка ведется до получения необходимой консистенции.

Приготовление тортов

Бисквитные торты лучше всего готовить по принципу "все смешать". Все ингредиенты закладываются в чашу и обрабатываются до получения равномерной тонкой консистенции - примерно 10 секунд. Следует всегда использовать мягкий маргарин для выпечки. Он берется непосредственно из холодильника и нарезается двухсантиметровыми кубиками.

Пикантные соусы и пасты

Твердые ингредиенты нарезаются кубиками по 2,5 см и закладываются в чашу. Они обрабатываются до тонкого измельчения, после чего добавляются сливки и пр. компоненты, и обработка продолжается до полного смешивания.

Взбитое жидкое тесто-болтушка

Предварительно установив нож-крыльчатку, заложите в чашу сухие ингредиенты, яйца и добавьте немного жидкости. Продолжайте обработку до появления однородной смеси. Через загрузочную трубку добавьте в работающую машину остальную жидкость, вливая ее тонкой непрерывной струей.

Дрожжевое тесто

Заложите муку, жир и другие сухие ингредиенты в чашу и включите комбайн на несколько секунд для их смешивания. Во время работы машины добавьте через загрузочную трубку жидкую смесь и продолжайте обработку до образования теста, имеющего однородную консистенцию и эластичного на ощупь, - на это уйдет 45-60 секунд. Дайте возможность тесту подняться, а затем снова замесите его в течение 10 секунд.

Венчик-взбивалка

Используется только для взбивания яичных белков и сливок. Для других рецептов взбивалка не предназначена. При взбивании яичных белков удостоверьтесь, что на взбивалке нет ни малейших следов жира или яичного желтка.

Овощерезка и шинковка

Что можно делать с помощью пластин для резки

Овощерезка - предназначена для нарезания моркови, картофеля, капусты, огурцов, кабачков, свеклы и лука.

Шинковка - шинкует (натирает) сыр, морковь, картофель и другие продукты сходной консистенции.

Сборка овощерезки и шинковки

- 1 Закрепите прокладку на конце держателя съемных пластин ④.
- 2 Установите нужную пластину в держатель режущей стороной вверх.
- Один конец пластины введите под кромку держателя и, нажав на другой ее конец, установите пластину на место. Пластина может быть установлена только в правильном положении ⑤.

Важное примечание

При использовании овощерезкой и шинковкой прокладка должна быть закреплена на конце держателя.

Применение пластин овощерезки и шинковки

Шинковка

Нарежьте продукт кусочками по размеру загрузочной трубки. Заполните трубку почти доверху и равномерно проталкивайте продукт вниз с помощью заглушки-толкателя. Машина при этом должна работать. Более длинные частицы можно получить, если закладывать кусочки продукта (например, моркови) в загрузочную трубку горизонтально.

Овощерезка

Если необходимо, нарежьте продукт, чтобы он проходил в загрузочную трубку. Удалите сердцевину из таких продуктов, как яблоки и перец. Установите продукты в загрузочную трубку в вертикальном положении. Продукт должен немного не доставать краев трубки. С помощью заглушки-толкателя равномерно проталкивайте продукт вниз. Машина при этом должна работать.

Полезные советы

- Используйте только свежие ингредиенты
- Не нарежьте продукты на слишком мелкие кусочки. Заполняйте загрузочную трубку почти до краев, это предупредит выброс измельченных продуктов из загрузочной трубки во время обработки.
- В процессе нарезания ломтиков или шинкования более короткие ломтики или частицы получатся, если продукт загружается трубку вертикально, и наоборот
- После пользования овощерезкой на пластине или в продукте всегда остается небольшое количество отходов.
- Не позволяйте переработанному продукту чрезмерно накапливаться под нижней частью пластины, регулярно опорожняйте чашу.
- Давление на продукт, пропускаемый сквозь загрузочную трубку, должно быть равномерным.

Брызгозащитная крышка

При смешивании продуктов используйте одновременно с ножом-крыльчаткой брызгозащитную крышку. Она позволяет увеличить производительность комбайна при приготовлении жидких смесей и в то же время улучшает качество измельчения и смешивания продуктов.

- 1 Установите брызгозащитную крышку над ножом-крыльчаткой. **Не надавливайте на нее!** ⑥
- 2 Установите на место крышку комбайна, это позволит брызгозащитной крышке занять правильное положение по высоте ⑦.

Соковыжималка для citrusовых (в стандартную комплектацию не входит)

Соковыжималка применяется для получения сока citrusовых плодов, таких как апельсины, лимоны, плоды лайма или грейпфруты ⑧.

- 1 Установите чашу на кухонный комбайн. Вставьте в нее цедильную чашку соковыжималки и поворачивайте ее по часовой стрелке, пока выступ на чашке не совместится с отметкой на корпусе комбайна.
- 2 Установите конус на приводную ось, поворачивая его, пока он не опустится вниз до упора ⑨.
- 3 Разрежьте фрукт на две половинки. Включите машину и прижмите фрукт к конусу.

измельчитель

Измельчитель предназначен для приготовления протертых супов, напитков и майонеза.

для использования измельчителя

- 1 Снимите крышку гнезда 10.
- 2 Поместите в емкость ингредиенты.
- 3 Наверните на емкость крышку и крышку заливной горловины.
- 4 Вверните емкость в гнездо.
- 5 Включите электроприбор.
- 6 После использования измельчителя обязательно установите на место крышку гнезда.

внимание

- **Насадки измельчителя будут приводиться в действие только в том случае, если установлены чаша кухонного комбайна и крышка.**
- **При использовании гнезда для подсоединения измельчителя к блоку электродвигателя желательно, чтобы в чаше кухонного комбайна не было насадок.**

Полезные советы

- При приготовлении майонеза положите все ингредиенты, за исключением растительного масла, в миксер. Затем, в процессе работы прибора, налейте масло в воронку и дайте ему стечь внутрь.
- Смеси, имеющие плотную консистенцию, например, паштеты и соусы, могут налипать на стенки. Если смесь слишком густая, добавьте больше жидкости.
- При размельчении льда добавьте 15 мл (1 ст. ложку) воды на 6 кубиков льда. Используйте импульсный регулятор.
- Перед смешиванием в миксере дайте горячим жидкостям остыть: если крышка окажется закрытой неплотно, Вы можете обрызгаться.
- Для продления срока службы миксера включайте его не более чем на 60 секунд. Выключайте миксер сразу же после того, как будет достигнута нужная консистенция.
- Не добавляйте при обработке специ, они могут повредить пластиковые детали.
- Прибор не будет работать, если миксер установлен неправильно.
- Не кладите сухие ингредиенты в миксер до его включения. При необходимости порежьте их на кусочки; снимите воронку, а затем, при включенном приборе, опускайте кусочки по очереди.
- Не используйте миксер в качестве емкости для хранения. Оставляйте его пустым до и после использования.
- Никогда не смешивайте более 1 л, для пенистых смесей типа молочных коктейлей это значение должно быть еще меньше.

Чистка комбайна

- До начала чистки всегда выключайте машину и вынимайте вилку из розетки.
- Никогда не погружайте в воду силовой блок, сетевой шнур или штепсельную вилку.
- Будьте осторожны при обращении с ножом-крыльчаткой и режущими пластинами - они исключительно остры.
- Некоторые продукты способны обесцвечивать пластмассу. Это совершенно нормальное явление, которое не повредит пластмассу и не повлияет на вкусовые качества пищи. Восстановить цвет может помочь протирание обесцвеченных участков салфеткой, смоченной в растительном масле.

Силовой блок

- Протрите его влажной салфеткой и дайте высохнуть.
- Намотайте избыток шнура на специальное приспособление, расположенное на задней стенке машины.

измельчитель

- 1 Заполните теплой водой, установите крышку и крышку заливной горловины, затем включите на 20-30 с.
- 2 Опорожните емкость, а затем сполосните его водой. Если на стенках емкости осталась грязь, удалите ее с помощью щетки.
- 3 Протрите, а затем просушите на воздухе.
- Не отмачивайте измельчитель в воде, и не оставляйте воду внутри измельчителя.

Другие узлы

- Вымойте их вручную и тщательно высушите.
- Все насадки (кроме измельчителя) можно мыть на верхней полке посудомоечной машины.

Обслуживание и ремонт

- При повреждении шнура он должен быть заменен по соображениям безопасности непосредственно фирмой Kenwood или ее уполномоченным специалистом.

Если вы нуждаетесь в помощи относительно:

- эксплуатации комбайна или
- технического обслуживания, запасных частей или ремонта (гарантийного или послегарантийного) - свяжитесь с магазином, в котором был приобретен ваш кухонный комбайн.

Ελληνικά

Πριν αρχίσετε να διαβάσετε τις οδηγίες, παρακαλούμε να ξεδιπλώσετε την μπροστινή σελίδα η οποία περιλαμβάνει τις απεικονίσεις

Ασφάλεια

- Οι λεπίδες και οι δίσκοι κοπής είναι πολύ αιχμηροί, γι' αυτό να τους χειρίζεστε με προσοχή. **Πιάνετε τη λεπίδα του μαχαιριού πάντα από τη λαθή στο πάνω μέρος, και όχι από την κόψη της, τόσο κατά το χειρισμό όσο και κατά τον καθαρισμό.**
- Προτού ρίξετε το περιεχόμενο στο μπωλ, αφαιρείτε πάντα τη λεπίδα του μαχαιριού.
- Όσο η συσκευή παραμένει συνδεδεμένη στη μονάδα τροφοδοσίας, κρατάτε τα χέρια σας και τα βοηθητικά σκεύη μακριά από το μπωλ επεξεργασίας και την κανάτα του μπλέντερ.
- Θέτετε εκτός λειτουργίας και αποσυνδέετε από το ρεύμα:
 - πριν από την προσαρμογή ή την αφαίρεση εξαρτημάτων
 - μετά τη χρήση
 - πριν από τον καθαρισμό
- Ποτέ μη χρησιμοποιείτε τα δάκτυλά σας για να προωθήσετε την τροφή μέσα στο σωλήνα τροφοδοσίας. Χρησιμοποιείτε πάντα τον παρεχόμενο ωστήρα.
- Προτού αφαιρέσετε το καπάκι από το μπωλ ή το μπλέντερ από τη μονάδα τροφοδοσίας:-
 - θέστε εκτός λειτουργίας τη συσκευή,
 - αναμείνετε έως ότου το εξάρτημα/οι λεπίδες ακινητοποιηθούν εντελώς.
- Αφήστε όποιο τυχόν καυτό υγρό να κρυώσει προτού το βάλετε στο μπλέντερ - στην περίπτωση που το καπάκι δεν έχει εφαρμόσει καλά και φύγει από τη θέση του, μπορεί να πιτσιλιστείτε.
- **Αν ασκηθεί υπερβολική πίεση στο μηχανισμό συναρμογής, η συσκευή θα υποστεί θλάση και πιθανόν να προκληθεί τραυματισμός.**
- **Προς αποφυγή πρόκλησης θλάσης στο μηχανισμό συναρμογής:-**
 - **Εφαρμόζετε πάντα πρώτα το μπωλ στη μονάδα τροφοδοσίας και έπειτα το καπάκι.**
 - **Αφαιρείτε πάντα πρώτα το καπάκι και έπειτα το μπωλ από τη μονάδα τροφοδοσίας.**
- Η συσκευή αυτή δεν προορίζεται για χρήση από παιδιά ή ανήμπορα άτομα χωρίς επίβλεψη.
- Ποτέ μην χρησιμοποιείτε εξάρτημα που δεν έχει εγκριθεί από τον κατασκευαστή.
- Μην αφήνετε τα παιδιά να χρησιμοποιούν τη συσκευή ως παιχνίδι.
- Ποτέ μην αφήνετε το μηχανήμα σε λειτουργία χωρίς επίβλεψη.
- Ποτέ μη χρησιμοποιείτε συσκευή που έχει υποστεί βλάβη. Στείλτε τη για έλεγχο ή επισκευή: βλέπε 'σέρβις'.
- Ποτέ μην αφήνετε τη μονάδα τροφοδοσίας, το καλώδιο ή το βύσμα να βραχούν.
- Ποτέ μην αφήνετε το καλώδιο να κρέμεται από την άκρη του τραπέζιού ή τον πάγκο της κουζίνας ή να αγγίζει καυτές επιφάνειες.
- Χρησιμοποιείτε τη συσκευή αυτή μόνο για την οικιακή χρήση για την οποία προορίζεται.

Πριν θάλετε τη συσκευή στην πρίζα

- Βεβαιωθείτε ότι η παροχή ηλεκτρικού ρεύματος είναι η ίδια όπως αυτή που φαίνεται στο κάτω μέρος της συσκευής σας.
- Η συσκευή αυτή συμβαδίζει με την Οδηγία της Ευρωπαϊκής Οικονομικής Κοινότητας 89/336/ΕΟΚ.

Πριν χρησιμοποιήσετε τη συσκευή για πρώτη φορά

- 1 Αφαιρέστε όλα τα περιτυλίγματα της συσκευασίας συμπεριλαμβανομένων και των πλαστικών καλυμμάτων των λεπίδων κοπής. Αυτά τα καλύμματα θα πρέπει να πεταχτούν καθώς είναι για να προστατεύουν την λεπίδα μόνο κατά τη διάρκεια της κατασκευής και μεταφοράς.
- 2 Πλύνετε τα εξαρτήματα : βλέπε καθαρισμό.
- 3 Τυλίξτε το καλώδιο που περισσεύει στο χώρο αποθήκευσης στο πίσω μέρος της συσκευής.

Περιγραφή

- ① μηχανισμός ασφάλισης
- ② ωθητήρας
- ③ σωλήνας τροφοδοσίας
- ④ καπάκι
- ⑤ μπωλ
- ⑥ άξονας επεξεργαστή τροφίμων
- ⑦ μοχλός λειτουργίας on/off/παλμικής κίνησης

Εξαρτήματα

- ⑧ μπλέντερ
 - ⑨ λεπίδα κοπής
 - ⑩ δίσκος τριψίματος
 - ⑪ κόπτης
 - ⑫ φορέας δίσκων
 - ⑬ υποστήριγμα
 - ⑭ αναδευτήρας
 - ⑮ αναμείκτης
 - ⑯ σπάτουλα
- ⑰ ο λεμονοσύφτης είναι προαιρετικό αξεσουάρ και μπορεί να μην συμπεριλαμβάνεται στη συσκευασία.

Χρήση του επεξεργαστή τροφίμων

- 1 Τοποθετήστε το μπωλ στη βάση του επεξεργαστή - με την λαβή προς τα πίσω - χαμηλώστε το μπωλ ώστε να ακουμπήσει στη βάση και στρέψτε το δεξιόστροφα μέχρι να ασφαλίσει καλά στη θέση ①.
- 2 Τοποθετήστε ένα εξάρτημα πάνω από τον άξονα του επεξεργαστή τροφίμων.
 - Πάντοτε εφαρμόζετε το μπωλ και το εξάρτημα στη συσκευή πριν προσθέσετε τα υλικά.
- 3 Τοποθετείστε το καπάκι πάνω στο μπωλ - με το σωλήνα τροφοδοσίας προς το πίσω μέρος της συσκευής ②. Γυρίστε δεξιόστροφα μέχρι που το βέλος στο καπάκι να ευθυγραμμιστεί με την ανάγλυφη γραμμή που βρίσκεται στον επεξεργαστή ③.
- **Αν δεν τοποθετήσετε σωστά το καπάκι, ο επεξεργαστής τροφίμων δεν θα λειτουργήσει.**
- 4 Θέστε σε λειτουργία το μπλέντερ μετακινώντας τον μοχλό λειτουργίας on/off/παλμικής κίνησης στη θέση 'I' και αφήστε τον εκεί έως ότου επιτευχθεί η επιθυμητή υφή 'H μετακινήστε το μοχλό στη θέση παλμικής κίνησης 'P' ώστε το εξάρτημα που έχει προσαρτηθεί στο μπωλ να θεθεί σε λειτουργία άμεσης εκκίνησης/διακοπής. Η λειτουργία παλμικής κίνησης θέτει σε κίνηση τον κινητήρα και τον κρατά σε λειτουργία όσο παραμένει στη θέση του. Με αυτόν τον τρόπο έχετε τη δυνατότητα να ελέγχετε την υφή διάφορων τροφών όπως π.χ. του κρέατος.
- 5 Αντιστρέψτε τη παραπάνω διαδικασία, για να αφαιρέσετε το μπωλ, το καπάκι και τα εξαρτήματα.
 - Το καπάκι μπορεί να αφαιρεθεί μόνο όταν ο μοχλός λειτουργίας on/off/παλμικής κίνησης βρίσκεται στη θέση 'O'.

Σημαντικό:

Η συσκευή αυτή δεν είναι κατάλληλη για να αλέσετε ή να κάνετε σκόνη κόκκους καφέ ή καρυκεύματα ούτε για να μετατρέψετε ζάχαρη κρυσταλλικής μορφής σε άχνη. Όταν προσθέτετε εσάνς ή άρωμα αμυγδάλου σε μείγματα, αποφύγετε την επαφή με το πλαστικό γιατί μπορεί να δημιουργήσει μόνιμα σημάδια.

Μέγιστες χωρητικότητες

Ασπράδια αυγών	6
Κομμάτιασμα κρέατος	300 γρ.
Ζύμη για φύλλο κρούστας με βάρος αλευριού	250 γρ.
Ζύμη με μαγιά με βάρος αλευριού	340 γρ.
Συνολικό βάρος ζύμης κέικ	800 γρ.
Σούπα με διάφορα υλικά	800 ml
μπλέντερ	1 λίτρο

Χρήση των εξαρτημάτων

Λεπίδα κοπής

Αυτή η λεπίδα είναι το πιο χρηστικό εξάρτημα. Η υφή που δημιουργείται καθορίζεται από το χρόνο επεξεργασίας. Για πιο χοντρή υφή χρησιμοποιείτε το διακόπτη "στιγμιαίας λειτουργίας" για να ελέγχετε τακτικά τη πυκνότητα.

Τι μπορεί να κάνει η λεπίδα κοπής

Νωπό κρέας

Φτιάξτε κιμά αφαιρώντας από το νωπό κρέας το περιττό λίπος και κόβοντάς το σε κύβους 2 εκ., τοποθετείστε το στο μπωλ και βάλτε το σε λειτουργία για περίπου 10 δευτερόλεπτα ή μέχρι να επιτύχετε την επιθυμητή υφή. Όσο περισσότερο λειτουργήσει η συσκευή τόσο πιο λεπτή θα είναι η υφή.

Μαγειρεμένο κρέας

Ακολουθείστε την ίδια μέθοδο όπως και για το νωπό κρέας αλλά για λιγότερο χρόνο.

Λαχανικά

Κόψτε τα λαχανικά σε κομμάτια μεγέθους περίπου 2.5 εκ. Επεξεργαστείτε μαζί τρόφιμα με παρόμοια υφή, π.χ. τα πιο σκληρά λαχανικά όπως καρότα και πατάτες ή τα πιο μαλακά όπως μανιτάρια, ντομάτες ή μαγειρεμένα λαχανικά.

Τρίματα μπισκότου και ψωμιού

Ρίξτε τα διάφορα υλικά στο σωλήνα τροφοδοσίας κατά τη διάρκεια λειτουργίας της συσκευής.

Ζύμη για φύλλο και ψωμάκια

Ρίξτε το αλεύρι στο μπολ. Βάλτε το βούτυρο κατευθείαν από το ψυγείο και κόψτε το σε κύβους των 2 εκ. Ανακατέψτε μέχρι το μίγμα να μοιάζει με λεπτά ψίχουλα αλλά προσέχετε να μην το ανακατέψετε πάρα πολύ. Αφήστε τη συσκευή να λειτουργεί και ρίξτε το υγρό στον σωλήνα τροφοδοσίας. Ανακατέψτε έως ότου να δημιουργηθούν μία ή δύο μπάλες ζύμης. Τοποθετείστε στο ψυγείο πριν τη χρήση.

Σούπες

Κάντε τις σούπες πουρέ πριν ή αφού τις μαγειρέψετε. Στραγγίστε τα υλικά και τοποθετείστε τα στο μπολ μαζί με λίγο ζουμί από τη συνταγή. Ανακατέψτε μέχρι να επιτευχθεί η επιθυμητή πυκνότητα, και μετά προσθέστε το υπόλοιπο ζουμί.

Ξηροί καρποί

Τρίψτε ξηρούς καρπούς για κέικ ή μπισκότα τοποθετώντας τους στο μπολ και επεξεργαστείτε τους μέχρι να επιτευχθεί η επιθυμητή πυκνότητα.

Παρασκευή τούρτας

Οι τούρτες με παντεσπάνι είναι καλύτερο να γίνονται με τη μέθοδο "όλα σε ένα". Όλα τα υλικά τοποθετούνται στο μπολ και ανακατεύονται μέχρι να γίνει μια ομοιόμορφη ζύμη - περίπου 10 δευτερόλεπτα. Θα πρέπει να χρησιμοποιείται πάντα μια μαλακή μαργαρίνη κατευθείαν από το ψυγείο κομμένη σε κομμάτια περίπου 2 εκ.

Αλμυρά ντιπ ή κρεμώδη μίγματα

Τοποθετείστε τα στερεά υλικά στο μπολ σε κύβους των 2.5 εκ. Ανακατέψτε τα μέχρι να κοπούν σε μικρά κομμάτια. Προσθέστε την κρέμα κτλ. και συνεχίστε το ανακάτεμα έως ότου αναμιχθούν καλά όλα τα υλικά.

Κουρκούτι

Με τη λεπίδα κοπής τοποθετημένη στη θέση της βάλτε τα στερεά υλικά, τα αυγά και λίγο υγρό στο μπολ, και ανακατέψτε έως ότου το μίγμα γίνει λείο. Προσθέστε το υπόλοιπο υγρό από το σωλήνα τροφοδοσίας ενώ η συσκευή λειτουργεί.

Ζύμη με μαγιά

Ρίξτε το αλεύρι, το βούτυρο και τα άλλα ξηρά υλικά στο μπολ και ανακατέψτε για μερικά δευτερόλεπτα για να αναμιχθούν. Με τη συσκευή να λειτουργεί προσθέστε το υγρό από το σωλήνα τροφοδοσίας και συνεχίστε το ανακάτεμα μέχρι που το μίγμα να γίνει ζύμη, απαλή στην εμφάνιση και ελαστική στην αφή - αυτό θα πάρει 45-60 δευτερόλεπτα. Αφήστε τη ζύμη να φουσκώσει και ανακατέψτε τη ξανά για 10 δευτερόλεπτα.

Αναδευτήρας

Χρησιμοποιείτε τον μόνο για αυγά και κρέμα. Ο αναδευτήρας είναι ακατάλληλος για άλλες συνταγές. Βεβαιωθείτε ότι το μπολ και ο αναδευτήρας δεν έχουν υπολείμματα από λίπος ή κρόκο αυγού όταν ανακατεύετε ασπράδια αυγών.

Δίσκοι κοψίματος και τριψίματος

Τι μπορούν να κάνουν οι κόπτες.

Δίσκος κοψίματος: κόβει καρότα, πατάτες, λάχανο, αγγούρι, κολοκυθάκια, παντζάρια, κρεμμύδια.

Δίσκος τριψίματος: τρίβει τυρί, καρότα, πατάτες και τρόφιμα παρόμοιας υφής.

Πώς να συναρμολογήσετε το φορέα δίσκων

- 1 Εφαρμόστε το υποστήριγμα με το κλιπ στο φορέα δίσκων ④.
- 2 Επιλέξτε τον επιθυμητό δίσκο και εφαρμόστε τον στον φορέα με την πλευρά που κόβει στην επάνω πλευρά.
- Τοποθετείστε το ένα άκρο του δίσκου κάτω από χείλος και πιέστε το άλλο άκρο στη θέση που ταιριάζει μόνο προς τη μία πλευρά ⑤.

Σημαντικό:

Όταν χρησιμοποιείτε τους δίσκους κοψίματος και τριψίματος το υποστήριγμα πρέπει να τοποθετηθεί στη θέση του, στην άκρη του φορέα δίσκων.

Χρήση των δίσκων κοπής

Δίσκος τριψίματος

Κόψτε τα τρόφιμα σε κομμάτια που να χωρούν στον σωλήνα τροφοδοσίας. Γεμίστε το σωλήνα σχεδόν έως επάνω και σπρώξτε προς τα κάτω χρησιμοποιώντας τον ωθητήρα με σταθερή πίεση ενώ η συσκευή λειτουργεί.

Αν θέλετε μακρύτερα κομμάτια βάλτε τα οριζόντια στον σωλήνα τροφοδοσίας π.χ. καρότο.

Δίσκος κοψίματος

Αν χρειάζεται κόψτε τα τρόφιμα πριν τα τοποθετήσετε στον σωλήνα τροφοδοσίας. Αφαιρέστε τα κουκούτσια και το κέντρο από τρόφιμα όπως μήλα και πιπεριές. Τοποθετείστε τα τρόφιμα σε κάθετη θέση στο σωλήνα τροφοδοσίας. Το ύψος θα πρέπει να είναι λίγο μικρότερο από το σωλήνα τροφοδοσίας. Χρησιμοποιώντας τον ωθητήρα, σπρώξτε προς τα κάτω με σταθερή πίεση ενώ η συσκευή λειτουργεί.

Συμβουλές

- Χρησιμοποιείτε φρέσκα υλικά.
- Μην κόβετε τα τρόφιμα σε πολύ μικρά κομμάτια. Γεμίστε σχεδόν το σωλήνα τροφοδοσίας, αυτό εμποδίζει τα τρόφιμα να γλιστρούν στα πλάγια κατά τη διάρκεια της κοπής.
- Όταν κόβετε ή τρίβετε: τα τρόφιμα που τοποθετούνται κάθετα βγαίνουν κοντύτερα απ' ό,τι τα τρόφιμα που τοποθετούνται οριζόντια.
- Μετά τη χρήση του δίσκου κοπής θα παραμένει πάντα λίγη ποσότητα που δεν μπορεί να χρησιμοποιηθεί στο δίσκο ή στα τρόφιμα.
- Μην αφήνετε τρόφιμα να κατακάθονται στην κάτω πλευρά του δίσκου - να τον αδειάζετε τακτικά.
- Σπρώξτε τα τρόφιμα προς τα κάτω με σταθερή πίεση.

Αναμείκτης

Όταν ανακατεύετε χρησιμοποιείτε τον αναμείκτη σε συνδυασμό με την λεπίδα κοπής. Σας επιτρέπει να αυξήσετε την ικανότητα επεξεργασίας υγρών στο μπολ και να βελτιώσετε την απόδοση κοπής της λεπίδας.

- 1 Τοποθετείστε τον αναμείκτη μέσα στο μπολ πάνω από τη λεπίδα κοπής - **μην τον σπρώξετε προς τα κάτω** ⑥.
- 2 Εφαρμόστε το καπάκι - το καπάκι θα εξασφαλίσει ότι ο αναμείκτης έχει τοποθετηθεί στο σωστό ύψος ⑦.

Λεμονοστύφτης (προαιρετικό αξεσουάρ)

Ο λεμονοστύφτης χρησιμοποιείται για το στύψιμο εσπεριδοειδών, δηλ. πορτοκάλια, λεμόνια, λάιμ και γκρέιπφρουτ.

- 1 Τοποθετείστε το μπολ στον επεξεργαστή. Προσθέστε το σουρωτήρι και γυρίστε το δεξιόστροφα μέχρι που το πτερύγιο του σουρωτηριού να εφαρμόζει με το σημάδι στον επεξεργαστή ⑧.
- 2 Εφαρμόστε τον κώνο στον άξονα περιστροφής έως ότου φτάσει μέχρι κάτω ⑨.
- 3 Κόψτε τα φρούτα στη μέση. Ανάψτε τη συσκευή και πιέστε τα φρούτα στον κώνο.

μπλέντερ

Χρησιμοποιήστε το μπλέντερ για να φτιάξετε αραιές σούπες, ροφήματα και μαγιονέζα.

Για να χρησιμοποιήσετε το μπλέντερ

- 1 Αφαιρέστε το κάλυμμα από το στόμιο ⑩.
- 2 Βάλτε τα συστατικά στην κανάτα.
- 3 Βιδώστε το καπάκι και το κάλυμμα του γεμιστήρα στην κανάτα.
- 4 Βιδώστε την κανάτα στο στόμιο.
- 5 Θέστε σε λειτουργία τη συσκευή.
- 6 Επειτα από κάθε χρήση του μπλέντερ, επανατοποθετείτε το κάλυμμα στο στόμιο.

Σημαντική πληροφορία

- Το μπλέντερ λειτουργεί μόνο όταν το μπολ της συσκευής και το καπάκι βρίσκονται στη θέση τους.
- Όταν χρησιμοποιείτε το στόμιο του μπλέντερ, συνιστούμε να μην περιέχεται κανένα εργαλείο μέσα στον κάδο της συσκευής.

Συμβουλές

- Όταν φτιάχνετε μαγιονέζα, βάλτε όλα τα υλικά στο μπλέντερ εκτός από το λάδι. Μετά με τη συσκευή σε λειτουργία, ρίξτε το λάδι από το άνοιγμα και αφήστε το να ρέει.
- Τα παχύτερα μείγματα, όπως π.χ. τα πατέ και τα ντιπ, μπορεί να κολλήσουν στα τοιχώματα. Αν είναι δύσκολο να συνεχίσετε, προσθέστε περισσότερο υγρό.
- Όταν τρίβετε πάγο, προσθέστε 15mls (1 κουταλιά σούπας) νερό για 6 παγάκια. Χρησιμοποιήστε το διακόπτη στιγμιαίας λειτουργίας.
- Αφήστε τα ζεστά υγρά να κρυώσουν πριν χρησιμοποιήσετε το μπλέντερ - αν δεν έχετε τοποθετήσει καλά το καπάκι και φύγει θα σας πιτσιλίσει.
- Για να διασφαλίσετε μεγάλη διάρκεια ζωής στο μπλέντερ σας, μην το αφήνετε ποτέ σε λειτουργία για πάνω από 60 δευτερόλεπτα. Σβήστε το μόλις επιτύχετε το αποτέλεσμα που θέλετε.
- Μην κόβετε μπαχαρικά - μπορεί να προκαλέσουν βλάβη στο πλαστικό.
- Η συσκευή δε θα λειτουργήσει αν το μπλέντερ δεν έχει τοποθετηθεί σωστά.
- Μην τοποθετείτε στεγνά υλικά στο μπλέντερ πριν το λειτουργήσετε. Αν είναι απαραίτητο κόψτε τα σε κομμάτια, αφαιρέστε το άνοιγμα γεμίσματος, και μετά με τη συσκευή σε λειτουργία ρίξτε τα κομμάτια ένα-ένα.
- Μην χρησιμοποιείτε το μπλέντερ ως συσκευή φύλαξης. Θα πρέπει να το κρατάτε άδειο πριν και μετά τη χρήση.
- Μην ανακατεύετε ποτέ παραπάνω από 1 λίτρα - λιγότερο για αφράτα υγρά όπως μιλκσέικ.

Καθαρισμός

- Πάντα σβήνετε τη συσκευή και βγάζετε την από την πρίζα πριν το καθαρίσμα.
- Ποτέ μην αφήσετε τη συσκευή, το καλώδιο ή το φιν να βραχεί.
- Προσέχετε όταν πιάνετε τις λεπίδες και τους δίσκους κοπής - είναι εξαιρετικά κοφτερά.
- Μερικά τρόφιμα μπορεί να χρωματίσουν το πλαστικό. Αυτό είναι απόλυτα φυσιολογικό. Δεν θα επηρεάσει το πλαστικό ή τη γεύση του φαγητού σας. Το καθαρίσμα με ένα πανί εμποτισμένο σε φυτικό λάδι βοηθάει στην αφαίρεση του χρώματος.

Κεντρική μονάδα

- Σκουπίστε με ένα υγρό πανί και στεγνώστε.
- Τυλίξτε το καλώδιο που περισσεύει στον αποθηκευτικό χώρο στο πίσω μέρος της συσκευής.

μπλέντερ

- 1 Γεμίστε το με ζεστό νερό, τοποθετήστε το καπάκι και το κάλυμμα του γεμιστήρα και στη συνέχεια, θέστε το σε λειτουργία για 20-30 δευτερόλεπτα.
 - 2 Αδειάστε το και ξεπλύνετε το. Αν δεν έχει καθαρίσει εντελώς, χρησιμοποιήστε βουρτσάκι.
 - 3 Σκουπίστε το και αφήστε τον να στεγνώσει με τον αέρα.
- Μην αφήνετε το μπλέντερ στο νερό να μουλιάσει και μην αφήνετε νερό στο εσωτερικό του.

Άλλα μέρη

- Πλύνετε τα με το χέρι και μετά στεγνώστε τα καλά.
- Όλα τα εξαρτήματα (εκτός από το μπλέντερ) μπορούν να πλυθούν στην πάνω σχάρα του πλυντηρίου πιάτων.

Σέρβις και εξυπηρέτηση πελατών

- Αν το καλώδιο έχει φθαρεί θα πρέπει, για λόγους ασφαλείας, να αντικατασταθεί από την Kenwood ή έναν εξουσιοδοτημένο τεχνικό της Kenwood .
- Αν χρειάζεστε βοήθεια με:
- Τη χρήση της συσκευής σας
 - Το σέρβις, τα ανταλλακτικά ή τις επισκευές
- Επικοινωνήστε με το κατάστημα απ' όπου αγοράσατε τη συσκευή σας.

تنظيف الجهاز

- إطفئ الجهاز وافصل قابض التيار الكهربائي دائماً. قبل القيام بالتنظيف.
- لا تبلل مطلقاً محرك الجهاز أو سلك التوصيل الكهربائي بالسوائل.
- أمسك بالشفرات وبصفائح التقطيع بحرص. فهي أدوات حادة وشديدة القطعية.
- بعض أنواع الأطعمة سوف تغير لون البلاستيك. وهذا أمر طبيعي تماماً. فهذا لن يضر البلاستيك ولن يؤثر على طعم الطعام. إذا قمت بحك البلاستيك بقطعة قماش مبللة بزيت نباتي ، فذلك يساعد على إزالة اللون.

وحدة طاقة الجهاز

- نظف بقطعة قماش رطبة. ثم جفف.
- لف ما يزيد من سلك التوصيل الكهربائي حول المربط في الفجوة المخصصة خلف الجهاز.

جهاز التسييل

- ١ يملاً بماء ساخن، ويركب الغطاء وسدادة المرشح ثم يشغل لفترة ٢٠ - ٣٠ ثانية.
 - ٢ يفرغ الماء ثم يشطف. إذا لم يصبح نظيفاً استعمل فرشاة.
 - ٣ يمسح ثم يترك ليحجف في الهواء.
- لا تترك جهاز التسييل في الماء لاجل نفعه. ولا تترك ماء فيه.

الأجزاء الأخرى

- إغسل يدويًا ، ثم جفف جيداً.
- يمكن غسل كافة القطع الملحقة (باستثناء جهاز التسييل) على الرف الاعلى من غسالة الصحون.

الخدمة والعناية بالزبون

في حالة تلف سلك التوصيل الكهربائي ، فإنه يجب ولأسباب تتعلق بالسلامة ، القيام بتبديله عن طريق كينوود أو ورشة صيانة مرخصة من قبل كينوود.

المملكة المتحدة

- إذا احتجت إلى مساعدة فيما يخص:
- إستعمالك للجهاز أو
- خدمة صيانة ، قطع غيار أو تصليحات (سواء أثناء فترة الضمان أو خارجها)
- قم باستدعاء كينوود على رقم الهاتف ٢٣٣٣ ٩٢٣٩ ٢٣٠ وأطلب خدمة الزبائن، يجب أن يكون لديك رقم موديل جهازك. ويوجد أسفل الجهاز، أو يمكنك الإتصال بمركز خدمة مرخص من قبل كينوود ابحث في الصفحات الصفراء تحت عنوان Electrical appliance repair.

ايرلندا

انظر اعلاناتنا في الصفحات الذهبية

في الأقطار الأخرى

قم بالاتصال بالمعرض الذي اشترت منه الجهاز

الضمان في المملكة المتحدة فقط

- إذا تعطل جهازك اثناء سنة واحدة من تاريخ الشراء. فاننا سنقوم باصلاح الجهاز (او بتبديله عند الضرورة) وبدون دفع أي تكاليف إذا ثبت أنه.
- لم تسيء استعمال الجهاز ، أهملته أو قمت باحداث اضرار فيه.
- لم يتم إدخال تعديلات على الجهاز (مالم يكن بواسطة كينوود).
- اذا لم يكن الجهاز قد تم شراؤه مستعملاً.
- اذا لم يتم استعمال الجهاز استعمالاً تجارياً وليس منزلياً.
- اذا لم يكن قد تم وضع القابض بطريقة خاطئة وايضاً
- يجب ابراز ايصال الشراء وتاريخه.
- هذا الضمان لا يؤثر على حقوقك القانونية.

للكعكات والمعجنات المسطحة

قم بوضع الطحين في الوعاء (الطاس). استعمل الزيد مباشرة من الثلاجة وقم بتقطيع الزيد لمكعبات بحجم ٢ سم / ٢/٤ إنش. قم بعملية الخلط الى أن يصبح الخليط يماثل الكتله وانته في هذه الأثناء الى عدم المبالغة في الخلط اترك الجهاز يدور واضف السائل من خلال انبوب التلقيم. استمر بالخلط الى أن تتكون كرة أو كرتين من العجين. برد الخلطة قبل الأستعمال.

الحساء

حساء الهورية سواء قبل طبخه أو بعد الطبخ. صفي المكونات وقم بوضعها في الوعاء (الطاس) مع قليل من السائل من نفس المكونات. شغل الجهاز حتى تحصل على القوام المطلوب. بعد ذلك قم بوضع السائل المتبقي من مكونات الحساء.

المكسرات من قلب البندق، الجوز وخلافه

إفرم المكسرات لعمل البسكويت والكعكات وذلك بوضع المكسرات في الوعاء (الطاس) وشغل الجهاز حتى تحصل على القوام المرغوب.

عمل الكعكات

أفضل طريقة لعمل الكعكات الأسفنجية هي طريقة "الكلك في واحد" توضع جميع المكونات في الوعاء (الطاس) وتشغل الجهاز حتى تصبح الخلطة ناعمة. حوالي ١٠ ثوان. يجب دائماً القيام بوضع قالب الدهن مباشرة من الثلاجة بعد تقطيعه لمكعبات بحجم ٢ سم / ٢/٤ إنش.

الكعك المغطس

ضع المكونات الصلبة بحجم ٢ سم / ٢/٤ إنش. شغل الجهاز حتى تتم عملية الفرم. أضف الكريم وخلافه. استمر بعملية الخلط الى أن تتكون الخلطة المناسبة.

الحقق السريع

بعد وضع السكين الفولاذي بمكانة قم بوضع المكونات الجافة، البيض وقليلاً من السائل في الوعاء (الطاس) شغل الجهاز حتى ينعم الخليط اضف السائل المتبقي من خلال أنبوب التلقيم بينما الجهاز لا يزال يعمل.

عمل المايونيز

ضع البيض والتوابل في الوعاء (الطاس) وأخلط لفترة ثوان قليلة. أثناء عمل الجهاز أضف الزيت على مراحل من خلال أنبوب التلقيم.

العجين بالخميرة

ضع الطحين، الدهن والمكونات الأخرى الجافة في الوعاء (الطاس) وأخلط لفترة ثوان قليلة. أثناء عمل الجهاز ضع الخليط السائل من خلال أنبوب التلقيم وأستمر بالخلط حتى يصبح الخليط كتلة من العجين ويصبح شكله ناعماً وطري الملمس. وهذا يتطلب من ٤٥ - ٦٠ ثانية. أترك العجين ينتفخ ثم أعد العجين لمدة ١٠ ثوان.

الخفافة

تستعمل فقط لخفق البيض والكريمات، والخفافة ليست مناسبة للوصفات الأخرى تأكد من الخفافة والوعاء (الطاس) نظيفة من الدهن ومن صفار البيض أثناء خفق بياض البيض.

صفائح التشريح والقطع الطولي

ماهي الأشياء التي يمكن لصفائح التقطيع القيام بها.

صفائح التشريح - تشريح الجزر، البطاطس، الكرنب، الخيار، الكوسا، الشمندر، البصل.

صفائح التقطيع الطولي - لبشر الجبن، الجزر، البطاطس، الأطعمة المشابهة في التركيب.

لتجميع وتركيب حامل الصحيحة

١ ركب المبادئ فوق نهاية حامل الصحيحة 4

٢ انتقي الصفائح المرغوبة ثم ركبها فوق على الحامل بحيث تكون جهة التقطيع تجاه الأعلى.

• ركز احدى نهايات الصفائح أسفل الإطار وأضغط الطرف الآخر في موضعه سوف تثبتت حتماً إذا كان الإتجاه صحيحاً 5

هام

عند إستعمال صفائح التشريح والقطع الطولي فإن المبادئ يجب أن يثبت فوق نهاية طرف الحامل.

كيفية إستخدام صفائح التقطيع

صفائح القطع الطولي

قطع الطعام الى قطع تناسب أنبوب التلقيم. املئ الأنبوب حتى نهايته تقريباً ثم ادفع الطعام الى الأسفل بواسطة الدافعة وبضغط مستمر أثناء عمل الجهاز.

يمكن الحصول على قطع طولي بواسطة رص الطعام أفقياً في أنبوب التلقيم كالجزر مثلاً.

صفائح التشريح

عند الضرورة قطع الطعام الى قطع تناسب أنبوب التلقيم. قم بنزع البذور من الثمار كالنخاع والفلل، رص الطعام بوضع قائم في أنبوب التلقيم، يجب أن يكون ارتفاع الطعام أقل قليلاً من ارتفاع الأنبوب، ثم ادفع الطعام الى الأسفل بواسطة الدافعة وبضغط مستمر أثناء عمل الجهاز.

تلميحات

• إستعمل دوماً أطعمة طازجة.

• لا تقطع الطعام الى قطع صغيرة جداً. املئ أنبوب التلقيم متوازنة، وهذا يمنع الطعام من الإنزلاق للجوانب أثناء عملية التلقيم.

- أثناء التقطيع أو التشريح: فإن الأشياء التي تقطع طولياً تكون قطعها أصغر مما لو وضعت أفقياً.
- بعد إستعمال صفيحة من الصفائح سي تبقى دائماً عليها فضلات من المادة المستعملة.
- لا تترك الطعام يتجمع بكثرة أسفل الصفيحة، فرغ الطعام بانتظام.
- إدفع الطعام من خلال أنبوب التلقيم بضغط منتظم.

غطاء الخلط ماكسي

يستخدم غطاء الخلط ماكسي مع السكين الفولاذي عند خلط الحساء أو غيره من السوائل. فهو يسمح بزيادة سعة السوائل في الوعاء (الطاس) ويحسن من أداء السكين الفولاذي.

١ ضع الغطاء في الوعاء فوق السكين الفولاذي. لاتدفع للأسفل 6

٢ ثبت الغطاء. الغطاء سوف يؤمن بأن غطاء الخلط ماكسي في المستوى الصحيح 7

عصارة الليمون (ملحق إختياري)

تستخدم عصارة الليمون لعصر الحمضيات بما فيها البرتقال، الليمون، الليمون، الجريب فروت.

١ ركب الوعاء (الطاس) فوق الجهاز أضف وعاء المصفاة وأدراها باتجاه عقارب الساعة حتى تتوازي زعنقة المصفاة مع العلامة في جسم جهاز إعداد الطعام 8

٢ ركب العصارة فوق جذع تشغيل الجهاز ودورها حتى تسقط في مكانها للأسفل 9

٣ اقطع الفواكه بالنصف. شغل الجهاز ثم ضع أنصاف الفاكهه فوق العصارة للحصول على العصير.

جهاز التسييل

يستخدم جهاز التسييل لاعداد انواع فاخرة من الحساء والمشروبات والمايونيز.

لاستعمال جهاز التسييل

١ ازل غطاء المأخذ 10

٢ ضع المواد في المرطبان.

٣ ابرم الغطاء وسدادة المرشح على المرطبان.

٤ ابرم المرطبان على المنفذ.

٥ شغل.

٦ بعد استعمال الجهاز اعد غطاء المأخذ الى محله دائماً.

ملاحظة هامة

- تشتغل وحدة التسييل الملحقة فقط عندما يكون وعاء جهاز المعالجة والغطاء في اماكنهما.
- عند استعمال منفذ جهاز التسييل نوصي بعدم ابقاء اية ادوات في الوعاء.

السلامة

- ان الشفرات (نصل السكنين) والالواح حادة جدا، تعامل بحذر. دائما يمسك نصل السكنين بواسطة الممسك الموجود عند الاعلى بعيدا عن الحافة القاطعة وذلك اثناء التداول والتنظيف.
- يزال نصل السكنين دائما قبل سكب المحتويات من الوعاء.
- ابق الايادي واودات المائدة بعيدا عن وعاء المعالجة ومرطبان جهاز التسييل (liquiser) اثناء كون الوحدة موصولة بالكهرباء.
- اوقف التشغيل وافصل من الكهرباء:
 - قبل تركيب او ازالة الاجزاء
 - بعد الاستعمال
 - قبل التنظيف.
- ابدأ لا تستعمل الاصابع لدفع الطعام في انبوب التغذية. استعمل الدافعة المزودة لهذا الغرض على الدوام.
- قبل ازالة الغطاء من الوعاء او جهاز التسييل من وحدة الطاقة:-
 - اوقف التشغيل.
 - انتظر لحين التوقف التام للقطع الملحقة.السكين;
- دع السوائل الساخنة تبرد قبل المزج في جهاز التسييل - اذا لم تقم بتثبيت الغطاء باحكام وسقط الغطاء فقد تتعرض الى تناثر المواد.
- ان هذا الجهاز قد يتضرر وقد يسبب الاذى اذا تم تعريض الية الترابط الى قوة مفرطة:-
 - دائما اقل الوعاء على وحدة الطاقة قبل محاولة تركيب الغطاء.
 - دائما فك الغطاء قبل محاولة ازالة الوعاء من وحدة الطاقة.
- ان هذا الجهاز ليس مصمما للاستعمال من قبل الاطفال او الاشخاص الواهنين بدون اشراف.
- ابدأ لا تستعمل قطع ملحقة غير مخولة.
- لا تسمح للاطفال باللعب بهذا الجهاز.
- ابدأ لا تترك الجهاز مشتغلا بمفرده.
- ابدأ لا تستعمل جهازا متضررا. بل اكشف عليه او اصلحه: انظر "الخدمة".
- ابدأ لا تسمح لوحدة الطاقة او السلك او القابض بالابتلال.
- لا تسمح للسلك الزائد بالتدلي من حافة منضدة او سطح عمل او بالتلامس مع اسطح ساخنة.
- ابدأ لا تسئ استعمال جهاز معالجة الطعام واستعمله فقط للغرض المعتمد.

قبل القيام بالتوصيل الكهربائي

- تأكد من الجهد المقنن (الفولتية) في المنزل مطابقه لما هو وارد أسفل الجهاز.
- هذا الجهاز مطابق لتوجيهات مجموعة دول السوق الأوروبية المشتركة رقم ٨٩/٣٣٦ حول التداخل اللاسلكي.

قبل القيام باستعمال الجهاز لأول مرة

- ١ انزع التغليف بما فيه تغليف الشفرات البلاستيكي من شفرات السكنين.
- ٢ اغسل جميع الاجزاء: انظر "التنظيف".
- ٣ لف ما يزيد من سلك التوصيل الكهربائي حول المربط في الفجوة المخصصة خلف الجهاز.

تفسير الرموز

- ① أداة تعشيق للسلامة
- ② دافعة
- ③ أنبوب التلقيم
- ④ غطاء
- ⑤ وعاء (طاس)
- ⑥ وحدة تشغيل جهاز إعداد الطعام
- ⑦ عتلة التشغيل. الايقاف. التشغيل المتقطع

الملحقات

- ⑧ جهاز التسييل
- ⑨ شفرة السكنين
- ⑩ صفيحة التقطيع الطولي
- ⑪ صفيحة تشريح
- ⑫ حامل الصفيحة
- ⑬ مبعاد
- ⑭ خفاقة
- ⑮ غطاء خلط
- ⑯ ملقعة ذات حافة مسطحة
- ⑰ عصارة الليمون هي إضافة اختياريه وقد لا تكون مزودة مع جهازك.

استعمال جهاز إعداد الطعام

- ١ ضع الوعاء (الطاس) فوق قاعدة الجهاز. مراعيأ تركيب المقبض نحو مؤخرة الجهاز. إخفض الوعاء ثم ثبته باحكام في مكانه بإدارته باتجاه عقارب الساعة ①.
- ٢ قم بتركيب أي من الملحقات المرغوبة فوق جهاز إعداد الطعام.
 - دائما قم بتركيب الوعاء (الطاس) والملحق المرغوب قبل وضع مكونات الطعام.
- ٣ ضع الغطاء فوق الوعاء (الطاس). ضع أنبوب التلقيم تجاه مؤخرة الجهاز ②. أدر باتجاه عقرب الساعة حتى يتطابق السهم فوق الغطاء مع خط العلامة في هيكل جهاز إعداد الطعام ③.
- الخطأ في تركيب الغطاء سوف يمنع تشغيل جهاز إعداد الطعام
 - شغل الجهاز وذلك بتحريك عتلة التشغيل. الايقاف. التشغيل المتقطع) على دفعات متقطعة (الى الموضع "1" وعالج المواد الى حين تحقيق القوام المرغوب او حرك العتلة الى موضع التشغيل المتقطع "P" لتشغيل الاداة المركبة على الوعاء بطريقة تشغيل.توقف. ان وظيفة التشغيل المتقطع تقوم بتشغيل المحرك وابقاهه مشتغلا طالما ابقيت في موضع التشغيل هذا. يتيح لكم هذا الاسلوب التحكم بقوام الاغذية المختلفة مثلا عند معالجة اللحوم.
- ٦ عند الرغبة بإزالة الوعاء (الطاس)، الغطاء والملحقات، قم باتباع الخطوات السابقة بطريقة معكوسة.
- يمكن ازالة الغطاء فقط عندما تكون عتلة التشغيل. الايقاف. التشغيل المتقطع على الموضع "0".

هام

- ان الجهاز غير مناسب لسحق او جرش حبوب القهوة، التوابل او تحويل السكر حبيبات السكر الى سكر كاستر.
- عند إضافة مركز اللوز السائل للخلطات تجنب سكبها مباشرة فوق البلاستيك لأنه يترك علامات دائمة على البلاستيك.

الساعات التشغيلية القصوى لجهاز إعداد الطعام

بياض البيض	٦ بيضات
لحم مفروم	٢٠٠ جم / ١٠ أونس
وزن الطحين لعمل الكيكة	٢٥٠ جم / ٩ أونس
الوزن الكلي لكمة اسفنجية من طابق واحد	٨٠٠ جم / ١ ليبره ١٢ أونس
الحساء المزين بطبقة مقمرة مقشرة	٨٠٠ مل / ١,٣ بايت
جهاز التسييل	١ لتر / ١,٧٥ باينت

استعمال الملحقات

السكين الفولاذي

هذا السكين هو الاداة الأكثر تعدداً للاستعمال من بين جميع الملحقات ، وعند استعمال هذا الملحق فإن تماسك أو قوام الطعام يحدده طول المدة التي يتم فيها تشغيل الجهاز وللحصول على تماسك خشن قم باستخدام ميزة زر النبض وبذلك يمكنك التحقق فوراً من النتيجة.

ماهي الأشياء التي يمكن للسكين الفولاذي عملها

اللحوم النيئة
يمكن فرم اللحم المنزوع منه الشحم الزائد الى مكعبات بحجم ٢ سم / ١/٤ إنش، ضع اللحم في الوعاء (الطاس) وشغل الجهاز لمدة ١٠ ثوان أو الى حين بلوغ التماسك او القوام المرغوب. وكلما زادت مدة التشغيل زادت نعومة الفر.

اللحوم المطبوخة

إتبع نفس طريقة اللحوم النيئة ولكن لمدة زمنية أقل.

الخضروات

قم بتقطيع الخضروات الى قطع بحجم ٢,٥ سم / ١/٤ إنش. يقوم الجهاز بتقطيع الخضروات لقطع متساوية ومتجانسة القوام كالخضروات القاسية مثل الجزر والبطاطس او اللينة كالفطر، الطماطم أو الخضروات المطبوخة.

لطحن البسكويت وقطع الخبز اليابس

أسقط القطع في أنبوب التلقيم أثناء عمل الجهاز



Kenwood Limited, New Lane, Havant, Hampshire PO9 2NH, UK
www.kenwood.co.uk