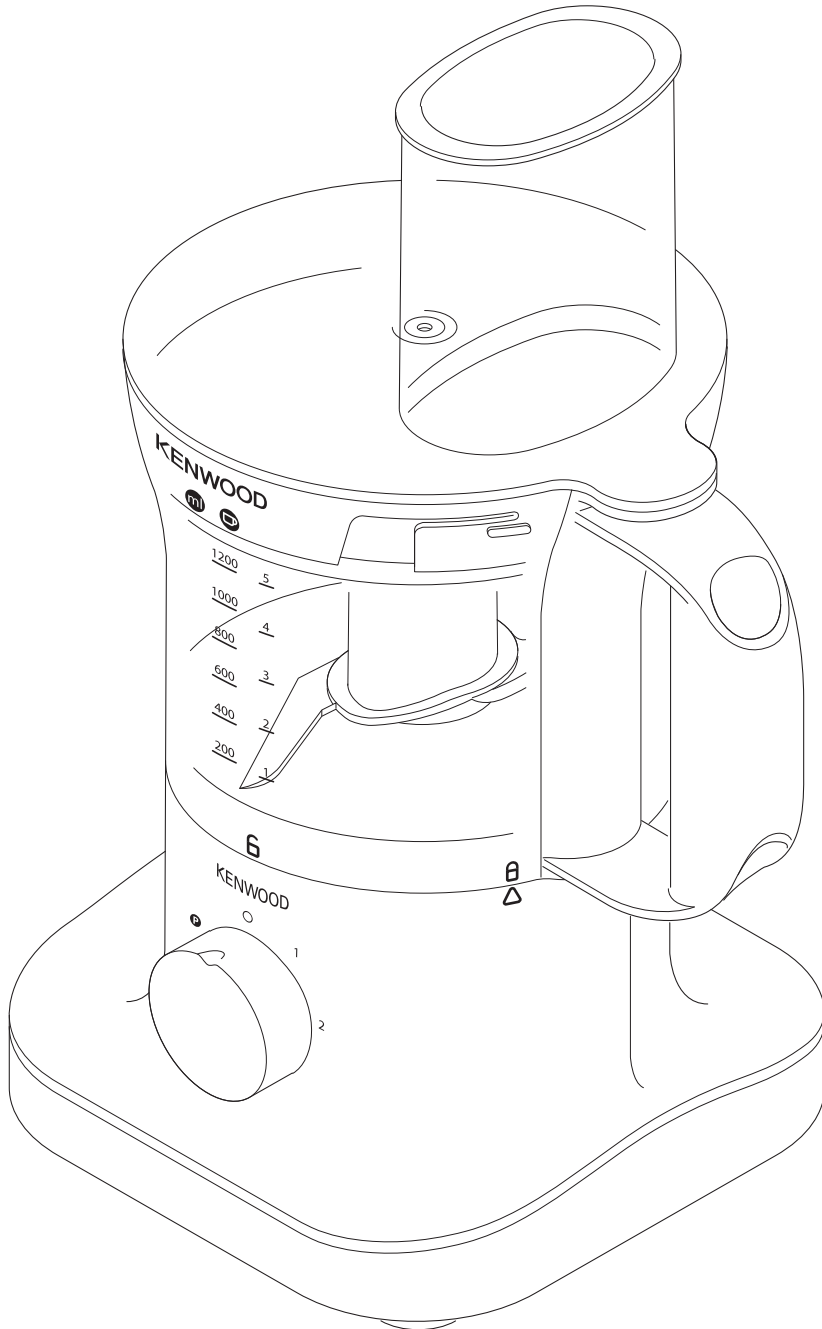


# KENWOOD

FPP210 series, FPP220 series  
FPP230 series, TYPE FPP23

instructions

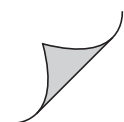


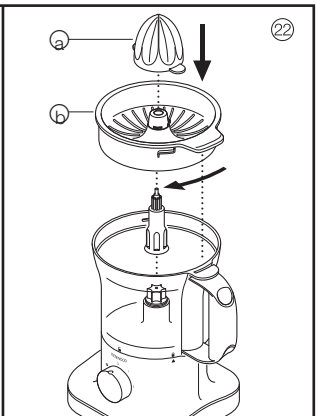
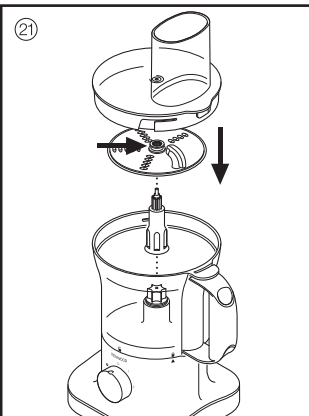
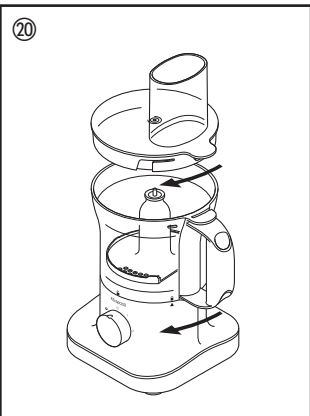
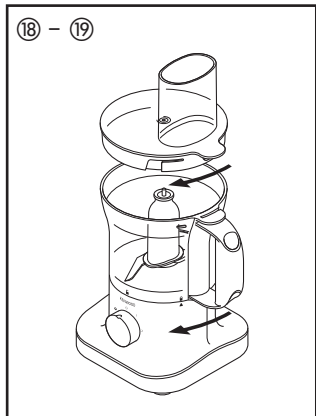
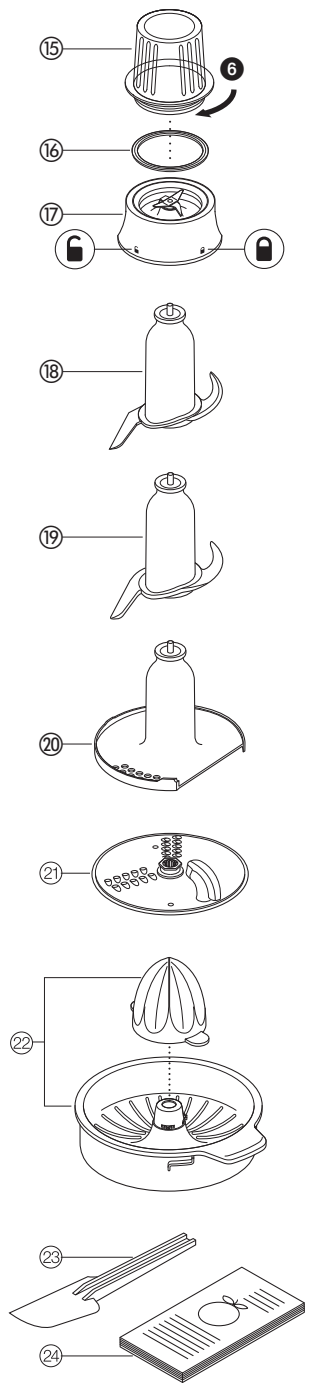
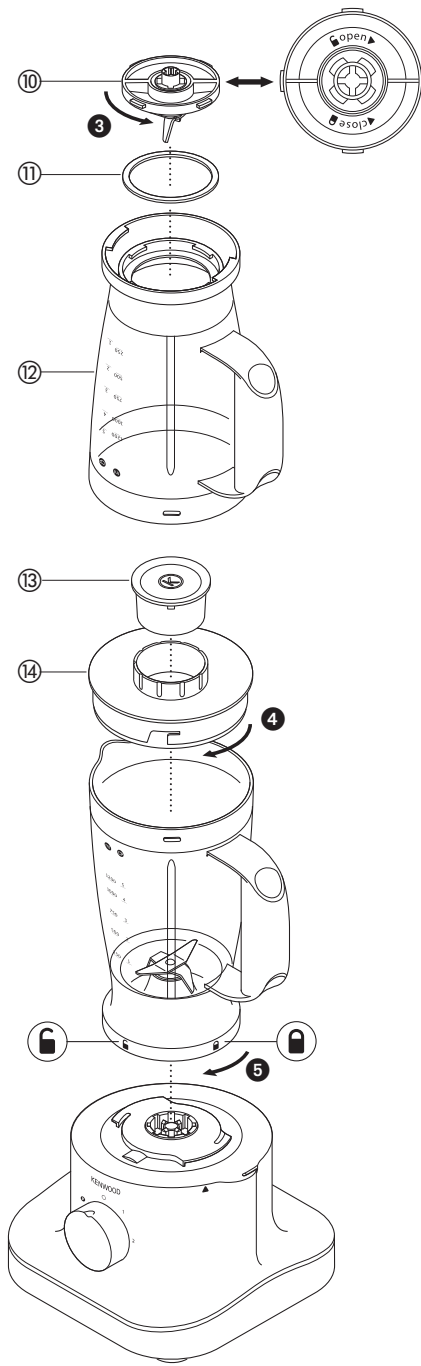
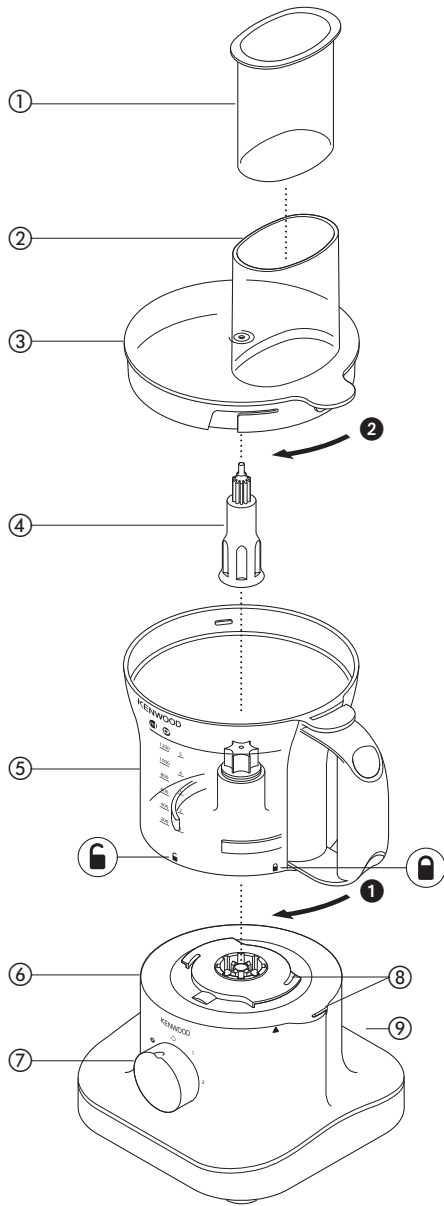
English

2 - 10

عربي

١٧ - ١١





## safety

- Read these instructions carefully and retain for future reference.
- Remove all packaging and any labels.
- The blades and discs are very sharp, handle with care. **Always hold by the finger grip at the top, away from the cutting edge, both when handling and cleaning.**
- Do not lift or carry the processor by the handle - or the handle may break resulting in injury.
- Always remove the knife blade before pouring contents from the bowl.
- Keep hands and utensils out of the processor bowl and liquidiser goblet whilst connected to the power supply.
- Switch off and unplug:-
  - before fitting or removing parts;
  - when not in use;
  - before cleaning.
- Never use your fingers to push food down the feed tube. Always use the pusher/s supplied.
- **Never fit the blade unit to the power unit without the liquidiser or mini chopper/mill jar fitted.**
- Before removing the lid from the bowl, liquidiser or mini chopper/mill from the power unit:-
  - switch off;
  - wait until the attachment/blades have completely stopped;
  - be careful not to unscrew the liquidiser goblet or mini chopper/mill jar from the blade assembly.
- **SCALD RISK:** Hot ingredients should be allowed to cool to room temperature before blending.
- Do not use the lid to operate the processor, always use the on/off speed control.
- **This appliance will be damaged and may cause injury if the interlock mechanism is subjected to excessive force.**
- **Always unplug your food processor when not in use.**
- Never use an unauthorised attachment.
- Never leave the appliance unattended when it is operating.
- Never use a damaged appliance. Get it checked or repaired: see 'service & customer care'.
- Never let the power unit, cord or plug get wet.
- Don't let excess cord hang over the edge of a table or worktop or touch hot surfaces.
- Do not exceed the maximum capacities stated in the recommended speed chart.

- Children should be supervised to ensure that they do not play with the appliance.
- This appliance shall not be used by children. Keep the appliance and its cord out of reach of children.
- Appliances can be used by persons with reduced physical, sensory or mental capabilities or lack of experience and knowledge if they have been given supervision or instruction concerning use of the appliance in a safe way and if they understand the hazards involved.
- Only use the appliance for its intended domestic use. Kenwood will not accept any liability if the appliance is subject to improper use, or failure to comply with these instructions.
- Misuse of your processor/liquidiser can result in injury.
- The maximum rating is based on the attachment that draws the greatest load. Other attachments may draw less power.

Refer to the relevant section under “using the attachments” for additional safety warnings for each individual attachment.

### **liquidiser**

- **SCALD RISK:** Hot ingredients should be allowed to cool to room temperature before blending.
- Always take care when handling the blade assembly and avoid touching the cutting edge of the blades when cleaning.
- Only operate the blender with the lid in place.
- Only use the goblet with the blade assembly supplied.
- Never run the blender empty.
- To ensure the long life of your liquidiser, do not run it for longer than 60 seconds.
- Smoothie recipes - never blend frozen ingredients that have formed a solid mass during freezing, break it up before adding to the goblet.

### **mini chopper/mill**

- Never fit the blade unit to your food processor without the jar fitted.
- Never unscrew the jar while the mini chopper/mill is fitted to your appliance.
- Do not touch the sharp blades – Keep the blade unit away from children.
- Never remove the mini chopper/mill until the blades have completely stopped.
- To ensure the long life of your mini chopper/mill, never run for longer than 30 seconds. Switch off as soon as you have got the right consistency.
- The processing of spices is not recommended as they may damage the plastic parts.
- The appliance will not work if the mini chopper/mill is incorrectly fitted.
- Use for dry ingredients only.

## slicing/grating disc

- Never remove the lid until the cutting disc has completely stopped.
- Handle the cutting discs with care - they are extremely sharp

### before plugging in

- Make sure your electricity supply is the same as the one shown on the underside of your appliance.

### Important – UK only

- The wires in the cord are coloured as follows:  
Blue = Neutral, Brown = Live.
  - The appliance must be protected by a 13A approved (BS1362) fuse.
- Note:**
- For non-rewireable plugs the fuse cover **MUST** be refitted when replacing the fuse. If the fuse cover is lost then the plug must not be used until a replacement can be obtained. The correct fuse cover is identified by colour and a replacement may be obtained from your Kenwood Authorised Repairer (see Service).
  - If a non-rewireable plug is cut off it must be **DESTROYED IMMEDIATELY**. An electric shock hazard may arise if an unwanted non-rewireable plug is inadvertently inserted into a 13A socket outlet.
  - This appliance conforms to EC directive 2004/108/EC on Electromagnetic Compatibility and EC regulation no. 1935/2004 of 27/10/2004 on materials intended for contact with food.

### before using for the first time

- 1 Remove the plastic blade covers from the knife blade. **Take care the blades are very sharp.** These covers should be discarded as they are to protect the blade during manufacture and transit only.
- 2 Wash the parts see 'care & cleaning'

## key

### processor

- ① pusher
- ② feed tube
- ③ lid
- ④ detachable drive shaft
- ⑤ bowl with drive shaft
- ⑥ power unit
- ⑦ speed/pulse control
- ⑧ safety interlocks
- ⑨ cord storage (at back)

### liquidiser (if supplied)

- ⑩ blade unit
- ⑪ sealing ring
- ⑫ goblet
- ⑬ filler cap
- ⑭ lid

### mini chopper/mill (if supplied)







- ⑮ jar
- ⑯ sealing ring
- ⑰ blade unit

## attachments

Not all of the attachments listed below may be included with your food processor. Attachments are dependent upon the model variant.

- ⑱ knife blade
- ⑲ dough tool (if supplied)
- ⑳ emulsifying tool
- ㉑ thick slicing/coarse grating disc
- ㉒ citrus juicer (if supplied)
- ㉓ spatula
- ㉔ recipe book (if supplied)

## to use your food processor

- 1 Fit the bowl by aligning the  on the bowl with the  on the power unit, turn clockwise  until it locks .
- 2 Fit an attachment over the bowl drive shaft.  
**Note: Detachable drive shaft ④ should only be fitted when using the disc or citrus juicer.**
- Always fit the bowl and attachment onto the processor before adding ingredients.
- 3 Fit the lid  - ensuring the top of the drive shaft/tool locates into the centre of the lid.  
**● Do not use the lid to operate the processor, always use the on/off speed control.**
- 4 Plug in, switch on and select a speed. (Refer to the recommended speed chart).  
**● The processor will not operate if the bowl or lid are not fitted correctly into the interlock. Check that the feed tube and bowl handle are situated to the right hand side.**
- Use the pulse () for short bursts. The pulse will operate for as long as the control is held in position.
- 5 Reverse the above procedure to remove the lid, attachments and bowl.  
**● Always switch off and unplug before removing the lid. important**
- Your processor is not suitable for crushing or grinding coffee beans, or converting granulated sugar to caster sugar.
- When adding almond essence or flavouring to mixtures avoid contact with the plastic as this may result in permanent marking.




## to use your liquidiser (if supplied)

- 1 Fit the sealing ring ⑪ into the blade unit ⑩ - ensuring the seal is located correctly in the grooved area.
- 2 Hold the underside of the blade unit ⑩ and insert the blades into the goblet - turn anti-clockwise until it clicks ③. Refer to the graphics on the underside of the blade unit as follows:

 - unlocked position

 - locked position

### The liquidiser will not operate if incorrectly assembled.

- 3 Put your ingredients into the goblet.
  - 4 Fit the lid onto the goblet and turn clockwise ④ until it clicks. Fit the filler cap.
  - 5 Place the liquidiser onto the power unit, align the  on the liquidiser with the  on the power unit and turn clockwise ⑤ to lock .
- **The appliance will not operate if the liquidiser is incorrectly fitted to the interlock.**
- 6 Select a speed (refer to the recommended speed chart) or use the pulse control.






### hints

- When making mayonnaise, put all the ingredients, except the oil, into the liquidiser. Remove the filler cap. Then, with the appliance running, add the oil slowly through the hole in the lid.
- Thick mixtures, e.g. pâtés and dips, may need scraping down. If the mixture is difficult to process, add more liquid.
- Ice crushing - operate the pulse in short bursts until crushed to the desired consistency.
- The processing of spices is not recommended as they may damage the plastic parts.

- The appliance will not work if the liquidiser is incorrectly fitted.
- To blend dry ingredients - cut into pieces, remove the filler cap, then with the appliance running, drop the pieces down one by one. Keep your hand over the opening. For best results empty regularly.
- Don't use the liquidiser as a storage container. Keep it empty before and after use.
- Never blend more than 1.2 litres - less for frothy liquids like milkshakes.

## to use your mini chopper/mill (if supplied)

Use the mini chopper/mill for milling herbs, nuts and coffee beans.

- 1 Put the ingredients into the jar ⑮.
- 2 Fit the sealing ring ⑯ into the blade unit ⑰.
- 3 Turn the blade unit upside down. Lower it into the jar, blades down.
- 4 Screw the blade unit onto the jar until finger tight ⑥. Refer to the graphics on the underside of the blade unit as follows:
  -  - unlocked position
  -  - locked position
- 5 Place the mini chopper/mill onto the power unit, align the  on the mini chopper/mill with the  on the power unit and turn clockwise ⑦ to lock .
- 6 Switch onto maximum speed or use the pulse control.

### hints

Herbs are best milled when clean and dry.

## recommended speed chart

tool/attachment	function	speed	maximum capacities
knife blade	Cake making	1 – 2	1.2Kg/2lb 6oz total weight
	Rubbing fat into flour	2	300g/11oz flour weight
	Adding water to combine pastry ingredients	1 – 2	
	Chopping & pureeing	2	400g/14oz lean meat total weight
	Thick soup mixes (600ml liquid to 600g dry ingredients). <b>Process vegetables with 300ml water until finely chopped, add the remaining water until incorporated.</b>	start on 1 and increase to 2	1.2 litres
	Thinner soup mixes/milk		600 ml
dough tool (if supplied)	Yeasted mixes	2	340g/12oz flour weight
emulsifying tool	Cream	1 – 2	250 ml
	Mayonnaise	2	300g oil
disc - slicing/grating	Firm food items such as carrots, hard cheeses	2	–
	Softer items such as cucumbers, tomatoes	1	–
citrus juicer (if supplied)	Citrus fruits	1	–
liquidiser (if supplied)	All processing	2	1.2 litres
mini chopper/mill (if supplied)	Herbs	2	10g/½oz
	Nuts, coffee beans	2	50g/2oz
	Uncooked meat - beef steak - cut into 2½ cm cubes	2 (5 secs)	50g/2oz

## using the attachments

Refer to recommended speed chart for each attachment.

### 18 knife blade

The knife blade is the most versatile of all the attachments. The length of the processing time will determine the texture achieved. For coarser textures use the pulse control.

Use the knife blade for cake and pastry making, chopping raw and cooked meat, vegetables, nuts, pate, dips, pureeing soups and to also make crumbs from biscuits and bread.

It can also be used for yeasted dough mixes if the dough tool is not supplied.

#### hints

- Cut food such as meat, bread, vegetables into cubes approximately 2cm/3/4in before processing.
- Biscuits should be broken into pieces and added down the feed tube whilst the machine is running.
- When making pastry use fat straight from the fridge cut into 2cm/3/4in.cubes.
- Take care not to over-process.

### 19 dough tool (if supplied)

Use for yeasted dough mixes.

- Place the dry ingredients in the bowl and add the liquid down the feed tube whilst the machine is running. Process until a smooth elastic ball of dough is formed this will take 60 secs.
- Re-knead by hand only. Re-kneading in the bowl is not recommended as it may cause the processor to become unstable.

### 20 emulsifying tool

Use for light mixtures only eg cream, mayonnaise.

#### hints

- Ensure the bowl and tool are clean and free from grease before use.

### 21 slicing/grating disc

To use the disc.

#### reversible slicing/grating disc

Use the grating side for cheese, carrots, potatoes and foods of a similar texture.

Use the slicing side for cheese, carrots, potatoes, cabbage, cucumber, courgette, beetroot and onions.

## to use the cutting discs

- 1 Fit the bowl onto the power unit, add the detachable drive shaft ④.
- 2 Holding by the centre grip, place the disc onto the drive shaft with the appropriate side uppermost.
- 3 Fit the lid.
- 4 Put the food in the feed tube.
- 5 Switch on and push down evenly with the pusher - **never put your fingers in the feed tube.**

#### hints

- Use fresh ingredients
- Don't cut food too small. Fill the width of the feed tube fairly full. This prevents the food from slipping sideways during processing.
- Food placed upright comes out shorter than food placed horizontal.
- There will always be a small amount of waste on the disc or in the bowl after processing.

### 22 citrus juicer (if supplied)

Use the citrus juicer to squeeze the juice from citrus fruits (eg oranges, lemons, limes and grapefruits).

- ① cone
- ② sieve

## to use the citrus juicer

- 1 Fit the bowl onto the power unit, add the detachable drive shaft.
  - 2 Fit the sieve into the bowl - ensuring the sieve handle is locked into position directly over the bowl handle.
  - 3 Place the cone over the drive shaft turning until it drops all the way down.
  - 4 Cut the fruit in half. Then switch on and press the fruit onto the cone.
- **The citrus juicer will not operate if the sieve is not locked correctly.**
  - For best results store and juice the fruit at room temperature and hand roll on a worktop before juicing.
  - To help with juice extraction move the fruit from side to side when juicing.
  - When juicing large quantities, empty the strainer regularly to prevent the build up of pulp and seeds.




## care & cleaning

- Always switch off and unplug before cleaning.
- **Handle the blades and cutting disc with care - they are extremely sharp.**
- Some foods may discolour the plastic. This is perfectly normal and won't harm the plastic or affect the flavour of your food. Rub with a cloth dipped in vegetable oil to remove the discolouration.

### power unit

- Wipe with a damp cloth, then dry. Ensure that the interlock area is clear of food debris.
- Don't immerse the power unit in water.
- Store excess cord in the storage area at the back of the power unit ⑨.

### liquidiser and mini chopper/mill

- 1 Empty the goblet/jar, unscrew the liquidiser blade unit by turning to the unlock position  to release.
- 2 Wash the goblet/jar by hand.
- 3 Remove and wash the sealing ring.
- 4 Don't touch the sharp blades – brush them clean using hot soapy water, then rinse thoroughly under the tap. **Don't immerse the blade unit in water.**
- 5 Leave to dry upside down.

### all other parts

- Wash by hand, then dry.
- Alternatively they are dishwasher safe and can be washed on the top rack of your dishwasher. Avoid placing items on the bottom rack directly over the heating element. A short low temperature (Maximum 50°C) programme is recommended.

item	suitable for dishwashing
main bowl, lid, pusher	✓
knife blade, dough tool	✓
emulsifying tool	✓
detachable drive shaft	✓
disc	✓
citrus juicer	✓
liquidiser goblet, lid, filler cap	✓
mini chopper/mill jar	✓
blade unit and seal for liquidiser and mini chopper/mill	✗
spatula	✓

## service & customer care

- If the cord is damaged it must, for safety reasons, be replaced by KENWOOD or an authorised KENWOOD repairer.
- **If you experience any problems with the operation of the processor, before calling for assistance refer to the troubleshooting guide.**

### UK

If you need help with:

- using your appliance or
  - servicing, spare parts or repairs (in or out of guarantee)
  - ☎ call Kenwood customer care on 023 9239 2333. **Have your model number (e.g. FPP210, FPP220 or FPP230) and date code (5 digit code e.g. 13L35) ready.** They are on the underside of the power unit.
  - **spares and attachments**
  - ☎ call 0844 557 3653.
  - **other countries**
- Contact the shop where you purchased your appliance.

- Designed and engineered by Kenwood in the UK.
- Made in China.



### IMPORTANT INFORMATION FOR CORRECT DISPOSAL OF THE PRODUCT IN ACCORDANCE WITH EC DIRECTIVE 2002/96/EC.

At the end of its working life, the product must not be disposed of as urban waste.

It must be taken to a special local authority differentiated waste collection centre or to a dealer providing this service.

Disposing of a household appliance separately avoids possible negative consequences for the environment and health deriving from inappropriate disposal and enables the constituent materials to be recovered to obtain significant savings in energy and resources. As a reminder of the need to dispose of household appliances separately, the product is marked with a crossed-out wheeled dustbin.

### guarantee UK only

If your food processor goes wrong within one year from the date you bought it, we will repair it (or replace it if necessary) free of charge provided:

- it has been used in accordance with these instructions.
  - you have not misused, neglected, or damaged it;
  - it has not been modified (unless by KENWOOD);
  - it is not second hand;
  - it has not been used commercially;
  - you have not fitted a plug incorrectly; and
  - **you supply your receipt to show when you bought it.**
- This guarantee does not affect your statutory rights.

## troubleshooting guide

<b>Problem</b>	<b>Cause</b>	<b>Solution</b>
The processor will not operate.	<p>No Power.</p> <p>Bowl not fitted to power unit correctly.</p> <p>Bowl lid not locked on correctly.</p>	<p>Check processor is plugged in.</p> <p>Check bowl is located correctly and the handle is situated towards the right hand side.</p> <p>Check that the lid interlock is located correctly into the handle area.</p> <p><b>The processor will not work if the bowl and lid are fitted incorrectly.</b></p> <p>If none of the above check the fuse/circuit breaker in your home.</p>
Liquidiser or mini chopper/mill will not operate	<p>Liquidiser or mini chopper/mill not locked on correctly.</p> <p>Liquidiser or mini chopper/mill not assembled correctly.</p>	<p>The liquidiser or mini chopper/mill will not operate if fitted incorrectly to the interlock.</p> <p>Check blade unit is fully tightened into the goblet/jar.</p>
Processor stops during processing	<p>Processor overloaded/maximum capacities exceeded.</p> <p>Lid unlocked.</p>	<p>Check maximum capacities stated in the recommended speed chart.</p> <p>Check lid is locked correctly.</p>
Liquidiser or mini chopper/mill leaking from blade assembly base.	<p>Seal missing</p> <p>Seal incorrectly fitted</p> <p>Seal damaged.</p>	<p>Check seal is fitted correctly and not damaged. To obtain a replacement seal see "service &amp; customer care"</p>
Poor performance of tools/attachments	<p>Refer to hints in relevant "using the attachment" section. Check attachments are assembled correctly.</p>	

## recipes

**For the speeds of the attachments see page 4.**

### carrot and coriander soup

25g (1oz) butter  
1 onion chopped  
1 clove garlic crushed  
590g carrot cut into 1 cm cubes  
cold chicken stock  
10-15mls (2-3tsp) ground coriander  
salt and pepper

- 1 Melt the butter in a pan, add the onion and garlic and fry until soft.
- 2 Place the carrot into the liquidiser, add the onion and garlic. Add sufficient stock to reach the 1.2L level marked on the goblet. Fit the lid and filler cap.
- 3 Blend on maximum speed for 5 seconds for a coarse soup or longer for a finer result.
- 4 Transfer the mixture to a saucepan, add the coriander and seasoning and simmer the soup for 30 to 35 minutes or until cooked.
- 5 Adjust the seasoning as necessary and add extra liquid if required.

### shortcrust pastry

300g (12oz) plain flour  
150g (6oz) mixture of lard and margarine cut into small pieces  
2.5 mls (½ tsp) salt  
45mls (3tbsp) cold water

- 1 Fit the knife blade and add the flour, salt and fat. Process for approximately 10 seconds or until the mixture looks like coarse breadcrumbs.
  - 2 Then add the water down the feed tube on low speed until the mixture looks like it is about to stick together.
  - 3 Turn out the mixture onto a worksurface and shape by hand. Use as required.
- For best results allow the pastry to rest before use. Place in a plastic bag or wrap in clingfilm and chill in the fridge for 20 minutes.

## lasagne

300g (12oz) braising steak, cubed.  
400g can of tomatoes  
30mls (2tbsp) tomato puree  
1 onion  
5mls (1tsp) basil  
100g (4oz) lasagne  
200g (8oz) mozzarella cheese  
15mls (1tbsp) oil  
salt and pepper

- 1 Grate the cheese using the shredding disc.
- 2 Then separately chop the meat and onions with the knife blade.
- 3 Pre-heat the oil and fry the onions until softened, add the meat and fry until brown.
- 4 Then add the tomatoes, tomato puree and seasonings.
- 5 Stir well, cover and simmer gently for about 40minutes.
- 6 Cook the lasagne in plenty of salted boiling water until tender. Then drain well.
- 7 Place layers of meat, lasagne and cheese in a 1litre/2pint oven proof dish. Finish with a layer of cheese.
- 8 Bake at 190°C/375°F/Gas Mark 5 for 30minutes or until golden and bubbling.

## victoria sandwich

150g (6oz) soft margarine  
150g (6oz) caster sugar  
150g (6oz) self raising flour  
5mls (1tsp) baking powder  
3 eggs  
15mls (1tbsp) warm water

**filling & decoration**

3tbsp strawberry jam  
150mls (¼pt) double cream whipped (optional)  
1tbsp icing sugar or caster sugar

- 1 Pre-heat the oven to 180°C/350°F/Gas mark 4 and grease two 18cm(7") shallow cake tins.
- 2 Fit the knife blade. Place all the ingredients for the sponge in the bowl and process for 5 seconds. Using a spatula, scrape the mixture into the centre of the bowl and process for a further 5 seconds.
- 3 Pour the mixture into the prepared tins and bake for 20-25minutes or until firm to a light touch and coming away from the edges slightly. If you are unsure whether the cake is cooked insert a thin skewer in the centre and it should come out clean. Turn out onto a wire cooling rack.
- 4 When cool spread the jam and cream over one of the cakes, top with the other cake and sprinkle with the sugar.

## mayonnaise

4-5 (90g) egg yolks  
5mls (1tsp) mustard  
22.5mls (1½tbsp) white wine vinegar  
7.5mls (½tbsp) lemon juice  
125g olive oil  
125g ground nut oil

- 1 Fit the emulsifying tool and add the yolks, mustard, white wine vinegar and lemon juice to the bowl.
- 2 With the machine running gradually add the oils until a thick sauce is achieved. The process of adding the oil to the mixture should take no less than a minute.

## white bread

300g(10oz) strong white bread flour  
5mls (1tsp) salt  
6g(¼oz) lard  
15g (½oz) fresh yeast or 10mls(2tsp) dried yeast + 5mls (1tsp) caster sugar.  
175mls (6 fl oz) warm water

- 1 **Dried yeast (the type that needs reconstituting):** Add the yeast and sugar to the warm water. Leave to stand for 5 - 10 minutes until frothy.  
**Fresh yeast:** crumble into the flour  
**Other types of yeast:** follow the manufacturer's instructions.
- 2 Fit the dough tool or knife blade and add the flour (with fresh yeast if used), salt and lard. Process for a few seconds to evenly distribute the ingredients.
- 3 Then with the motor running quickly pour the liquid in a steady stream down the feed tube until the mixture forms an elastic soft dough. This will take about 60 seconds.
- 4 Remove the dough, place in a bowl, cover with an oiled piece of clingfilm or a plastic bag, and leave in a warm place for 45 - 60 minutes or until doubled in size.
- 5 Re-knead by hand for 2 - 3 minute. **Re-kneading in the bowl is not recommended as it may cause the processor to become unstable.** Shape into a loaf or 15 rolls and place on greased baking trays and leave until double in size.
- 6 Then bake in a pre-heated oven at 230°C/450°F/Gas mark 8 for 20 - 25 minutes for the loaf or 10 - 15 minutes for bread rolls. When ready they should sound hollow when tapped on the base.

## دليل استكشاف الأخطاء وإصلاحها

المشكلة	السبب	الحل
جهاز تحضير الطعام لا يعمل.	الجهاز غير موصل بمصدر تيار كهربائي. الوعاء غير مركب على وحدة الطاقة بشكل صحيح. غطاء وعاء تحضير الطعام غير مركب بشكل صحيح.	تحققي من السلك الكهربائي وأنه موصل بمنفذ التيار الكهربائي. تأكدي من تركيب وعاء التقطيع بشكل صحيح وأن المقبض متجه ناحية اليمين. تأكدي من تعشيق الغطاء العلوي بشكل صحيح في منطقة المقبض. <b>لن يعمل جهاز تحضير الطعام في حالة تركيب وعاء التقطيع والغطاء العلوي بشكل غير صحيح.</b> في حالة عدم حل المشكلة بالطول أعلاه، تحققي من المنصهر/قاطع الدائرة الكهربائية في المنزل.
المسيل/المفرمة الصغيرة/المطحنة لا تعمل	المسيل/المفرمة الصغيرة/المطحنة غير مركب/مركبة بشكل صحيح. المسيل/المفرمة الصغيرة/المطحنة غير مركب/مركبة بشكل صحيح.	لن يعمل المسيل/المقبض الصغيرة/المطحنة في حالة التركيب بشكل غير صحيح في موضع تعشيق القفل. تأكدي من ربط وحدة الشفرات بإحكام في الدورق/وعاء الطحن.
توقف جهاز تحضير الطعام أثناء التشغيل	تجاوز حد التحميل لجهاز تحضير الطعام/تجاوز السعات القصوى تم فتح الغطاء العلوي.	تحققي من السعات القصوى الموصى بها والمحددة في جدول السرعات. تأكدي من قفل الغطاء العلوي بشكل صحيح.
تسرب من قاعدة وحدة الشفرات في المسيل/المطحنة.	حلقة الإحكام غير مركبة حلقة الإحكام غير مركبة في موضعها جيداً حلقة الإحكام تالفة.	تحققي من تركيب حلقة الإحكام في موضعها الصحيح وبطريقة صحيحة وأنها غير تالفة. للحصول على حلقة إحكام لاستبدال الحلقة التالفة. راجعي قسم «الصيانة ورعاية العملاء»
لا تعمل الأدوات والملحقات بشكل جيد	راجعي التلميحات المتعلقة بكل أداة أو ملحوق في قسم «استخدام الملحوق». تأكدي من تركيب الملحقات بشكل صحيح.	


## العناية والتنظيف

- أوقف دائماً تشغيل الجهاز وافصله عن مصدر التيار الكهربائي قبل التنظيف.
- توخي الحذر أثناء التعامل مع الشفرات وأسطح التقطيع هذه الأجزاء حادة جداً.
- قد تؤثر بعض الاغذية على لون البلاستيك. هذا امر طبيعي تماماً ولا يضر بالبلاستيك او يؤثر على نكهة الطعام. امسحي البلاستيك بقماش مغموس في زيت نباتي لإزالة تغيير اللون.

### وحدة الطاقة

- تمسح بقطعة قماش رطبة، ثم تجفف. تأكد من خلو منطقة الترابط من بقايا الطعام.
- لا تقومي بغمر وحدة الطاقة في الماء.
- قومي بلف السلك الزائد في مكان تخزين السلك أسفل وحدة الطاقة ⑨.

### المسيل والمفرمة الصغيرة/المطحنة

- ١ أفرغي الدورق/الوعاء وفكي وحدة شفرات المسيل عن طريقها لغها حتى موضع الفتح  وذلك لتحريرها.
- ٢ اغسلي الدورق/وعاء المطحنة يدوياً.
- ٣ أزيلي حلقة الإحكام واغسليها.
- ٤ لا تلمسي الشفرات الحادة - قومي بتنظيف الشفرات بواسطة الفراشة باستخدام ماء ساخن وصابون، ثم قومي بشطفها جيداً تحت الصنبور. لا تقومي بغمر وحد الشفرات في الماء.
- ٥ اتركها تجف في وضع مقلوب.

### جميع الاجزاء الاخرى

- تغسل باليد ثم تجفف.
- حيث أنه من الآمن غسل هذه المكونات في غسالة الأطباق فبطريقة أخرى يمكن غسلها على الرف العلوي في غسالة الأطباق. تجنبني وضع العناصر على الرف السفلي مباشرة فوق عنصر التسخين. يوصى باستخدام برنامج قصير مع درجة حرارة منخفضة (٥٠ درجة مئوية كحد أقصى).

## الخدمة ورعاية العملاء

- في حالة تلف السلك الكهربائي، يجب استبداله لأسباب متعلقة بالسلامة من قبل KENWOOD أو مركز صيانة معتمد من قبل KENWOOD.
- اذا واجهتم اية مشاكل في تشغيل الجهاز، فالرجاء مراجعة دليل تحري الخلل واصلاحه ادناه قبل طلب المساعدة.
- إذا أردت الحصول على مساعدة بشأن:
- استخدام الجهاز عمليات صيانة وإصلاحات
- اتصلي بالمتجر الذي اشتريتي منه الجهاز.
- تصميم وتطوير Kenwood في المملكة المتحدة.
- صنع في الصين.



### معلومات هامة حول كيفية التخلص الصحيحة من المنتج وفقاً لتوجيه الاتحاد الأوروبي 2002/96/EC.

- في نهاية العمر التشغيلي للجهاز، يجب عدم التخلص من الجهاز في نفايات المناطق الحضرية.
- بل يجب أخذه إلى مركز تجميع خاص بجهة محلية متخصصة في التخلص من هذه النفايات أو إلى تاجر يقدم هذه الخدمة.
- التخلص من الأجهزة المنزلية على نحو منفصل، يجنب الآثار السلبية المحتملة على البيئة والصحة والتي تنتج عن التخلص من هذه النفايات بطريقة غير مناسبة، كما أن هذه العملية تسمح باسترداد المواد المكونة الأمر الذي يتيح الحصول على وفورات كبيرة في مجال الطاقة والموارد. للتذكير بضرورة التخلص من الأجهزة المنزلية على نحو منفصل، يوجد على الجهاز صورة مشطوبة لسلة قمامة ذات عجلات.

العناصر المناسبة للغسيل داخل غسالة الأطباق	العنصر
✓	السلطانية الرئيسية، الغطاء العلوي، عصا دفع المكونات
✓	سكين التقطيع، أداة العجين
✓	أداة تحضير المستحلب
✓	محور الدوران
✓	الأقراص
✓	عصارة موالح
✓	دورق المسيل والغطاء العلوي وفتحة التعبئة
✓	الوعاء الزجاجي للمطحنة
✗	وحدة الشفرات وحلقة الإحكام للمسيل والمفرمة الصغيرة/المطحنة
✓	مقشطة

## استخدام الملحقات

راجعى جدول سرعات التشغيل الموصى بها لكل ملحوق.

### 18) سكين التقطيع

يعتبر سكين التقطيع أكثر الملحقات من حيث تعددية الاستخدام. تحدد طول فترة التشغيل القوام الناتج. للحصول على قوام خشن، استخدمى وضع التشغيل النبضى. استخدمى سكين التقطيع لتحضير الكيك والمعجنات أو فرم اللحم الخام أو المطهى، استخدمه أيضاً لتحضير الخضراوات والمكسرات والبطاطس والمغسوسات والحساء المهروس وأيضاً لتحضير كسر البسكويت والخبز. كما ويمكن استعمالها أيضاً لامزجة الدقيق والخميرة إذا لم تزود أداة العجن.

#### تلميحات

- قطعي الطعام مثل اللحم أو الخبز أو الخضراوات إلى مكعبات بحجم تقريبي ٢ سم قبل التحضير.
- يجب تكسير البسكويت إلى قطع صغيرة وإضافته عن طريق غطاء أنبوب إدخال المكونات أثناء تشغيل الجهاز.
- عند تحضير المعجنات استخدمى الدهون مباشرة من المجمد مع تقطيعها في صورة مكعبات بحجم تقريبي ٢ سم.
- توخى الحذر حتى لا تتجاوزى الفترة المطلوبة لتحضير الطعام.

### 19) أداة العجين (في حالة التزويد داخل صندوق البيع)

تستخدم مع خلطات العجين المخمرة.

- ضعي المكونات الصلبة في السلطانية وأضيفي السائل عن طريق أنبوب إدخال المكونات أثناء تشغيل الجهاز. استمري في التشغيل حتى تكون كرات لدنة من العجين، تستغرق هذه العملية نحو ٦٠ ثانية.
- أعيدي العجن بيدك فقط. غير منصوح بإعادة العجن في السلطانية حيث قد يؤدي ذلك إلى عدم استقرار جهاز تحضير الطعام.

### 20) أداة تحضير المستحلب

تستخدم مع الخلطات الخفيفة فقط مثل القشدة والمايونيز.

#### تلميحات

- تأكدي من نظافة الوعاء والأداة وعدم وجود أي دهون قبل الاستخدام.

### 21) أقراص التقطيع/التقطيع الطولي (البشر)

استخدام قرص التقطيع.

#### سطح التقطيع/التقطيع الطولي القابل للعكس

استخدمى جانب التقطيع الطولي مع الجبن والجزر والبطاطس والأطعمة التي لها نفس ذلك القوام. استخدمى جانب التقطيع مع الجبن والجزر والبطاطس والكرنب والخيار والكوسة والبنجر والبصل.

## استخدام أسطح التقطيع

- ١ ركبى السلطانية على وحدة الطاقة (الموتور) ثم ركبى محور الدوران القابل للفك والتركيب ④.
- ٢ امسكى سطح التقطيع من المقبض المركزي ثم ضعي السطح على محور الدوران مع توجيه السطح الملائم لأعلى.
- ٣ ركبى الغطاء العلوى.
- ٤ أدخلى الطعام من خلال أنبوب إدخال المكونات.
- ٥ شغلي الجهاز مع دفع الطعام بالتساوي بواسطة عصا دفع المكونات - احذري وضع أصابعك داخل فتحة إدخال المكونات.

#### تلميحات

- استخدمى مكونات طازجة.
- لا تقطعي الطعام إلى قطع صغيرة جداً. اجعلي عرض (مقطع) أنبوب إدخال المكونات ممثلياً بشكل متساو. يحول ذلك دون أنزلاق الطعام على الجوانب أثناء تحضير الطعام.
- الطعام الموضوع بشكل رأسي يخرج قصيراً عن الطعام الموضوع بشكل أفقي.
- تبقى هناك دائماً كمية صغيرة من الفضلات على سطح التقطيع أو في السلطانية بعد تحضير الطعام.

### 22) العصارة (في حالة التزويد داخل صندوق البيع)

استخدمى العصارة لتحضير العصير من الموالح (مثل البرتقال والليمون والليمون الحمضي والجريب فروت).

④ مخروط العصر



⑥ المصفاة

## استخدام العصارة

- ١ ركبى السلطانية على وحدة الطاقة (الموتور) ثم ركبى محور الدوران القابل للفك والتركيب.
- ٢ ركبى المصفاة في السلطانية - تأكدي من استقرار مقبض المصفاة في مواضعه مباشرة على مقبض السلطانية.
- ٣ ركبى مخروط العصر على محور الدوران وأديره حتى يستقر تماماً في القاع.
- ٤ قطعي ثمار الفواكه إلى نصفين. ثم شغلي الجهاز واضغطي الفاكهة على مخروط العصر.
- لن تعمل العصارة في حالة تركيب المصفاة بشكل غير صحيح.
- للحصول على أفضل النتائج، خزني الفاكهة واعصريها في درجة حرارة الغرفة، أيضاً ليني الفاكهة قبل عصرها عن طريق دحرجتها على سطح منضدة العمل مع الضغط عليها براحة ككف.
- للمساعدة في استخلاص العصير، حركي الفاكهة من جانب لآخر أثناء العصر.
- عند عصر كمية كبيرة من الفاكهة، أفرغي المصفاة بانتظام لتجنب تراكم لب وذبور الفاكهة.

## استخدام المفرمة الصغيرة/المطحنة (في حالة التزويد داخل صندوق البيع)

استخدمي المفرمة الصغيرة/المطحنة لطحن الأعشاب والمكسرات وجيوب القهوة.

- ١ ضعي المكونات في وعاء الطحن ⑮.
- ٢ ركبتي حلقة الإحكام ⑯ في وحدة الشفرات ⑰.
- ٣ اقلبي وحدة الشفرات. ضعيها داخل وعاء الطحن بحيث يكون اتجاه الشفرات لأسفل.
- ٤ اربطي وحدة الشفرات في وعاء الطحن بإحكام باستخدام أصابعك ⑱. راجعي الرسوم التوضيحية الموجودة على الجانب السفلي لوحدة الشفرات وهي كالتالي:  
 = موضع الفتح  
 = موضع القفل
- ٥ ضعي المطحنة على وحدة الطاقة (الموتور) ثم حاذي العلامة ⑲ الموجودة على المطحنة مع العلامة ⑳ الموجودة على وحدة الطاقة (الموتور) ثم لفني المطحنة في اتجاه عقارب الساعة ㉑ حتى تستقر في موضع القفل ㉒.
- ٦ شغلي المطحنة على السرعة القصوى أو استخدمتي وظيفة التشغيل النبضي.

### تلميحات

يمكن الحصول على أفضل النتائج عندما تكون الأعشاب نظيفة وجافة.

## ● لن يعمل الجهاز في حالة تركيب المسيل بشكل غير صحيح مع تعشيق القفل.

٦ حددي السرعة المطلوبة (راجع جدول السرعات الموصى بها) أو استخدمتي تحكم التشغيل النبضي.

### ملاحظات مفيدة

- عند تحضير المايونيز، ضعي كل المكونات في المسيل عدا الزيت. أزيل غطاء فتحة التعبئة. ثم صبي الزيت بطريقة بطيئة من خلال الفتحة الموجودة في الغطاء العلوي أثناء تشغيل الجهاز.
- قد تحتاج الخلطات السميكة مثل المعجنات الهشة والمغموسات إلى تقطيع. إذا وجدت صعوبة في تحضيرها، أضيفي المزيد من السوائل.
- جرش التلج - استخدمتي وضع التشغيل النبضي حتى الحصول على قوام الجرش المطلوب.
- غير منصوح بطحن التوابل فقد تؤدي إلى إحداث أضرار بالأجزاء البلاستيكية.
- لن يعمل الجهاز في حالة تركيب المسيل بشكل غير صحيح.
- لخلط مكونات جافة - قطعها إلى أجزاء صغيرة ثم أزيل غطاء فتحة التعبئة وأسقطها قطعة تلو الأخرى أثناء تشغيل الجهاز. أبق يدك فوق الفتحة. للحصول على أفضل النتائج أفرغي المحتويات بشكل منظم.
- لا تستخدمتي المسيل كحاوية تخزين حافظي على الدورق فارغاً قبل وبعد الاستخدام.
- لا تخلطي سعة أكبر من ٢٠١ لتر - استخدمتي سعة أقل مع السوائل الرغوية مثل الحليب المخفوق.

## جدول السرعات الموصى بها

الأداة/الملحق	الوظيفة	السرعة	الساعات القصوى
شفرات السكين	عمل الكيك	١ - ٢	إجمالي الوزن ٢٠١ كغم وزن الدقيق ٣٠٠ غرام
	فرك السمن مع الدقيق إضافة الماء لمزج محتويات المعجنات الفرم والهرس	١ - ٢	إجمالي الوزن لفرم اللحم اللين ٤٠٠ غرام
	خلطات الحساء الكثيفة (نسبة ٦٠٠ مل سائل إلى ٦٠٠ جرام مكونات صلبة). أضيفي الخضراوات مع كمية ٣٠٠ مل من الماء حتى الفرغ تماماً، ثم أضيفي الكمية المتبقية من الماء حتى تجانس الخليط.	ابدئي بالسرعة ١ ثم زيديها إلى السرعة ٢	٢٠١ لتر
	خلطات الحساء / الحليب الخفيفة		٦٠٠ مل
أداة العجن (في حالة التزويد داخل صندوق البيع)	خلطات ذات خميرة	٢	وزن الدقيق ٢٤٠ غرام
أداة تحضير المستحلب	القشدة المايونيز	١ - ٢	٢٥٠ مل ٣٠٠ غرام زيت
أقراص - التقطيع/التقطيع الطولي (البشر)	عناصر الطعام الصلبة مثل الجزر، الجبنة الصلبة العناصر اللينة مثل الخيار، الطماطم	١ - ٢	-
عصارة موالح (في حالة التزويد داخل صندوق البيع)	الحمضيات	١	-
المطحنة (في حالة التزويد داخل صندوق البيع)	كل العمليات	٢	٢٠١ لتر
المفرمة الصغيرة/المطحنة (في حالة التزويد داخل صندوق البيع)	الأعشاب المكسرات، جيوب القهوة	٢	١٠ غرام ٥٠ غرام
	قطع اللحم غير المطهية الستيك بقرب ن قطعها إلى مكعبات بطول ٢,٥ سم	٥ (٢ ثواني)	٥٠ غرام



## أقراص التقطيع/التقطيع الطولي (البشر)

- يحذر إزالة الغطاء العلوي قبل توقف أسطح التقطيع تماماً.
- توخي الحذر أثناء التعامل مع سطح التقطيع - أسطح التقطيع حادة جداً

### لاستعمال جهاز معالجة الطعام

- ١ ركبى السلطانية عن طريق محاذاة العلامة ١ الموجودة على السلطانية مع العلامة ٢ الموجودة على وحدة الطاقة (الموتور)، لفي السلطانية في اتجاه عقارب الساعة ٣ لحين استقرارها في موضع القفل ٤.
- ٢ ركبى الملحق على محور الدوران الموجود في السلطانية.

ملاحظة: يجب تركيب محور الدوران القابل للفك والتركيب ٤ فقط في حالة استخدام أقراص التقطيع أو العصارة أو مضرب البيض الثنائي.

- ركبى دائماً وعاء التقطيع والملحق في جهاز تحضير الطعام قبل إضافة المكونات.
- ٣ ركبى الغطاء العلوي ٢ - مع التأكد من استقرار الجزء العلوي من محور الدوران/الأداة في مركز الغطاء العلوي.
- لا تستخدمى الغطاء العلوي لتشغيل جهاز تحضير الطعام، استخدمى دائماً زر تحكم السرعة On/Off (تشغيل/إيقاف).
- ٤ وصلى الجهاز مع مصدر التيار الكهربى ثم شغلى الجهاز وحددي السرعة المطلوبة. (راجعى جدول السرعات الموصى بها).
- لن يعمل جهاز تحضير الطعام في حالة تركيب السلطانية أو الغطاء العلوي بطريقة غير صحيحة في موضع تعشيق القفل. تأكدى من توجيه أنبوب إدخال المكونات ومقبض السلطانية إلى الجانب الأيمن للجهاز.
- استخدمى مفتاح وضع التشغيل النبضى (P) للتشغيل لفترات قصيرة. يعمل وضع التشغيل النبضى طوال فترة الضغط على مفتاح التحكم.
- ٥ اتبعى الخطوات السابقة بترتيب معكوس لإزالة الغطاء العلوي، الملحقات ووعاء التقطيع.
- أوقفى دائماً تشغيل الجهاز قبل إزالة الغطاء العلوي.

### ملاحظة هامة

- جهاز تحضير الطعام غير ملائم لطحن حبوب القهوة أو تحويل حبيبات السكر إلى سكر بودرة.
- عند إضافة روح أو نكهة اللوز للخلطات، تجنبى ملامسته مع البلاستيك حيث قد يؤدي ذلك إلى ترك علامات مستديمة على البلاستيك.

### لاستعمال المسيل (في حالة التزويد داخل صندوق البيع)

- ١ ركبى حلقة الإحكام ١١ على وحدة الشفرات ١٠ - مع التأكد من استقرار حلقة الإحكام في موضعها بشكل صحيح داخل التجويف.
- إذا كانت حلقة الإحكام تالفة أو غير محكمة بشكل صحيح فسوف يحدث تسريباً.
- ٢ أمسكى الجانب السفلي لوحدة الشفرات ١٠ وركبى الشفرات داخل الدورق - ثم أديرها في اتجاه عكس عقارب الساعة لإحكام القفل ٣. راجعى الرسوم التوضيحية الموجودة على الجانب السفلي لوحدة الشفرات وهي كالتالى:

🔒 = موضع الفتح

🔒 = موضع القفل

لن يعمل المسيل في حالة تركيبه بشكل غير صحيح.

- ٣ ضعى مكوناتك بداخل الدورق.
- ٤ ركبى الغطاء العلوي على الدورق ولفيه في اتجاه عقارب الساعة ٤ حتى إحكام القفل. ركبى غطاء فتحة التعبئة.
- ٥ ضعى المسيل على وحدة الطاقة (الموتور) ثم حاذا العلامة ١ الموجودة على المسيل مع العلامة ٢ الموجودة على وحدة الطاقة (الموتور) ثم لفي المسيل في اتجاه عقارب الساعة ٥ حتى يستقر في موضع القفل ٣.

### قبل التوصيل بالكهرباء

- يجب التأكد من تماثل مواصفات المصدر الكهربى مع المواصفات الموضحة على الجانب السفلي للجهاز.
- يتوافق هذا الجهاز مع توجيهات الاتحاد الأوروبى 2004/108/EC بشأن التوافق الكهرومغناطيسى وتنظيمات الاتحاد الأوروبى رقم 1935/2004 الصادرة بتاريخ ٢٧/١٠/٢٠٠٤ والمتعلقة بالمواد المتلامسة مع الأطعمة.

### قبل الاستعمال للمرة الأولى

- ١ أزلى أغطية النصل البلاستيكية عن سكين التقطيع. توخى الحذر فسكين التقطيع حاد جداً. يجب التخلص من هذه الأغطية حيث أنها مزودة لحماية سكين التقطيع أثناء التصنيع والتنظيف.
- ٢ اغسلى الأجزاء "راجعى قسم الرعاية والتنظيف".

### مفتاح الرموز

### جهاز تحضير الطعام

- ① عصا دفع الطعام
- ② أنبوب التغذية
- ③ غطاء
- ④ عمود ادارة قابل للفصل
- ⑤ السلطانية مع محور الدوران
- ⑥ وحدة الطاقة
- ⑦ مفتاح التحكم في السرعة/التشغيل النبضى
- ⑧ أقفال الأمان
- ⑨ مخزن السلك (في الخلف)

### المسيل (في حالة التزويد داخل صندوق البيع)

- ⑩ وحدة الشفرة
- ⑪ حلقة إحكام الإغلاق
- ⑫ الدورق
- ⑬ فتحة التعبئة
- ⑭ غطاء

### المفرمة الصغيرة/المطحنة (في حالة التزويد داخل صندوق البيع)

- ⑮ نصل السكين
- ⑯ حلقة إحكام الإغلاق
- ⑰ وحدة الشفرة

### قطع ملحقة اضافية

ليس بالضرورة تزويد كل الملحقات المدرجة أدناه داخل عبوة بيع جهاز تحضير الطعام. تعتمد الملحقات على طرازات الأجهزة المختلفة.

- ⑱ شفرة السكين
- ⑲ أداة العجن (في حالة التزويد داخل صندوق البيع)
- ⑳ أداة تحضير المستحلب
- ㉑ سطح التقطيع السميكة / التقطيع الطولي (البشر) الخشن
- ㉒ عصارة موالح (في حالة التزويد داخل صندوق البيع)
- ㉓ مقشطة

- لا تسمحي بتدلي السلك الكهربى الزائد عن طاولة العمل ولا تسمحي له أيضاً بالتلامس مع أسطح ساخن.
- لا تتجاوزى السعات القصوى الموصى بها والمحددة في جدول السرعات.
- يجب الإشراف على الأطفال للتأكد من عدم عبثهم بالجهاز.
- لا يجوز استخدام هذا الجهاز من قبل الأطفال. احتفظي بالجهاز والسلك الكهربى بعيداً عن متناول الأطفال.
- يمكن استخدام الأجهزة من قبل أشخاص ذوي قدرات جسدية أو حسية أو عقلية منخفضة وممن هم دون خبرة أو معرفة باستخدام الأجهزة في حالة منحهم التعليمات الخاصة بالاستخدام أو الإشراف عليهم بحيث يمكنهم استخدامه بطريقة آمنة مع إدراك المخاطر التي تنطوي على استخدام الجهاز.
- استخدمى الجهاز فقط في الاستخدامات المنزلية المخصص لها. لن تتحمل شركة Kenwood أية مسؤولية في حالة استخدام الجهاز بطريقة غير صحيحة أو عدم الامتثال للتعليمات المذكورة.
- قد يؤدي سوء استخدام جهاز تحضير الطعام/المسيل إلى حدوث إصابات.
- تعتمد السعة القصوى على الملحق المستخدم والذي يستمد حمل أكبر. بعض من الملحقات الأخرى قد تستمد حمل أقل.
- راجعي القسم ذي الصلة من خلال قسم "استخدام الملحقات" لمعرفة المزيد من تحذيرات السلامة بالنسبة لكل ملحق على حدة.

## المسيل

- **مخاطر التعرض لحروق:** يجب السماح بتبريد المكونات الساخنة إلى درجة حرارة الغرفة قبل عملية الخلط.
- توخي الحذر دائماً عند التعامل مع وحدة الشفرات وتجنبي لمس حافة القطع الخاصة بالشفرات أثناء التنظيف.
- يجب تشغيل المسيل فقط مع تركيب الغطاء العلوي في موضعه.
- استخدمى الدورق فقط مع وحدة الشفرات المزودة.
- يحذر تشغيل المسيل فارغاً.
- لضمان الحصول على عمر تشغيلي طويل للمسيل، لا تشغيله لمدة أطول من ٦٠ ثانية.
- بالنسبة لوصفات المشروبات المخفوقة ذات الرغوة - لا تخلطي المكونات المجمدة التي تحولت إلى كتلة صلبة أثناء التجميد، ولكن هشميها إلى أجزاء قبل إضافتها إلى الدورق.
- **استخدام المفرمة الصغيرة/المطحنة**
- يحذر تركيب وحدة الشفرات في جهاز تحضير الطعام بدون تركيب وعاء الطحن.
- لا تفكي وعاء الطحن عن المفرمة الصغيرة/المطحنة أثناء تركيبها في الجهاز.
- لا تلمسي الشفرات الحادة - ابعدي وحدة الشفرات عن متناول الأطفال.
- يحذر إزالة المفرمة الصغيرة/المطحنة قبل توقف الشفرات عن الحركة تماماً.
- لضمان إطالة عمر المفرمة الصغيرة/المطحنة، لا تشغيلها لفترة أطول من ٣٠ ثانية. أوقفي تشغيل الجهاز بمجرد الحصول على القوام المطلوب.
- لا ينصح بمعالجة التوابل حيث قد تتسبب في تلف الأجزاء البلاستيكية.
- لن يعمل الجهاز ما لم يتم تركيب المفرمة الصغيرة/المطحنة بشكل صحيح.
- استخدمى المكونات الجافة فقط.

## السلامة

- اقرأ التعليمات التالية واحتفظي بها في المتناول للاستخدامات المستقبلية المرجعية.
- أزيل مكوّنات التغليف وأية ملصقات.
- الشفرات وأسطح القطع حادة، يجب التعامل معها بمنتهى الحذر. امسكي دائماً نصل السكين بقبضة الإصبع من الجزء العلوي بعيداً عن حافة التقطيع، سواء عند الاستخدام أو التنظيف.
- لا تقومي برفع أو حمل جهاز تحضير الطعام من المقبض - حيث قد ينكسر المقبض مما ينتج عنه حدوث إصابات.
- أزيل سكين التقطيع دائماً قبل صب المحتويات من وعاء التقطيع.
- أبقِ على يديك وأدوات المطبخ خارج وعاء التقطيع ودورق المسيل أثناء التوصيل مع مصدر التيار الكهربائي.
- قومي بإيقاف تشغيل الجهاز وفصله عن مصدر التيار الكهربائي:-
  - قبل تركيب وإزالة الأجزاء؛
  - في حالة عدم الاستخدام؛
  - قبل التنظيف.
- لا تستخدم أصابعك لدفع الطعام خلال أنبوب التغذية. استخدمي دائماً عصا دفع المكونات المزودة.
- يحذر تركيب وحدة الشفرات على وحدة الطاقة (الموتور) بدون تركيب دورق المسيل أو وعاء الطحن الخاص بالمطحنة.
- قبل إزالة الغطاء العلوي عن وعاء تحضير الطعام أو إزالة المسيل أو المفرمة الصغيرة/المطحنة عن وحدة الطاقة:-
  - أوقف تشغيل الجهاز؛
  - انتظري حتى توقف الملحقات/الشفرات تماماً عن الحركة؛
  - توخي الحذر حتى لا ينفصل دورق المسيل أو المطحنة عن وحدة الشفرات.
- **مخاطر التعرض لحروق:** يجب السماح بتبريد المكونات الساخنة إلى درجة حرارة الغرفة قبل عملية الخلط.
- لا تستخدم الغطاء العلوي لتشغيل جهاز تحضير الطعام، استخدمي دائماً زر تحكم السرعة On/Off (تشغيل/إيقاف).
- سيتلف الجهاز وقد تحدث إصابات في حالة تعرض آلية التعشيق لقوة مفرطة.
- افصلي دائماً جهاز تحضير الطعام عن مصدر التيار الكهربائي في حالة عدم استخدامه.
- يحذر استخدام أي ملحقات غير معتمدة.
- لا تترك الجهاز دون ملاحظة أثناء تشغيله.
- يحذر استخدام الجهاز في حالة تلفه. في مثل هذه الحالة، يجب فحص الجهاز أو إصلاحه: راجعي قسم "الصيانة ورعاية العملاء".
- يحذر تعرض وحدة الطاقة أو السلك الكهربائي أو قابس التوصيل للماء.





HEAD OFFICE: Kenwood Limited, 1-3 Kenwood Business Park, New Lane, Havant, Hampshire PO9 2NH

[kenwoodworld.com](http://kenwoodworld.com)

**KENWOOD**

CREATE MORE